



CF-3001-2 CF-3301-2 CF-3501-2 CF-4201-2 CF-6201-2

Single Hole Lavatory Vessel Faucet Installation Instructions

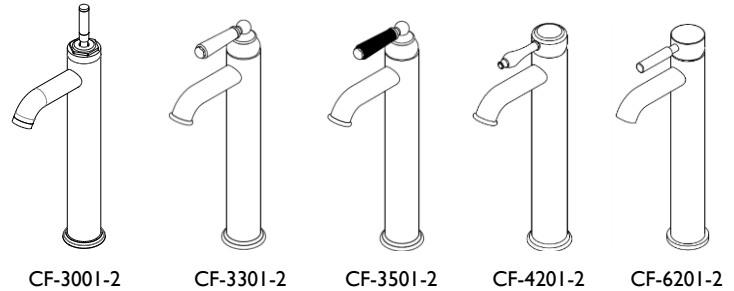
CALIFORNIA FAUCETS RECOMMENDS THAT ALL PLUMBING PRODUCTS BE INSTALLED BY A LICENSED PROFESSIONAL

IMPORTANT: Read all instructions prior to installation and provide copy of instructions to consumer.

Operating Specifications:

Recommended Supply Pressure: 20 to 70 psi *

* If water pressure exceeds 70 psi, install a Pressure-Reducing Valve (RPV).

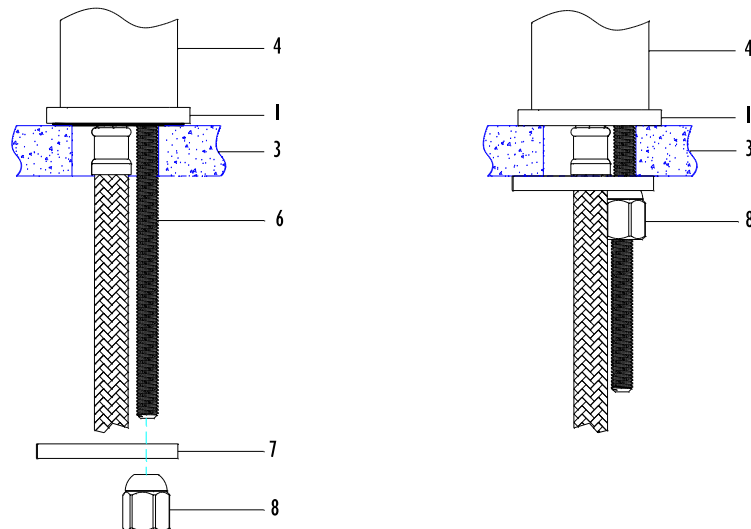
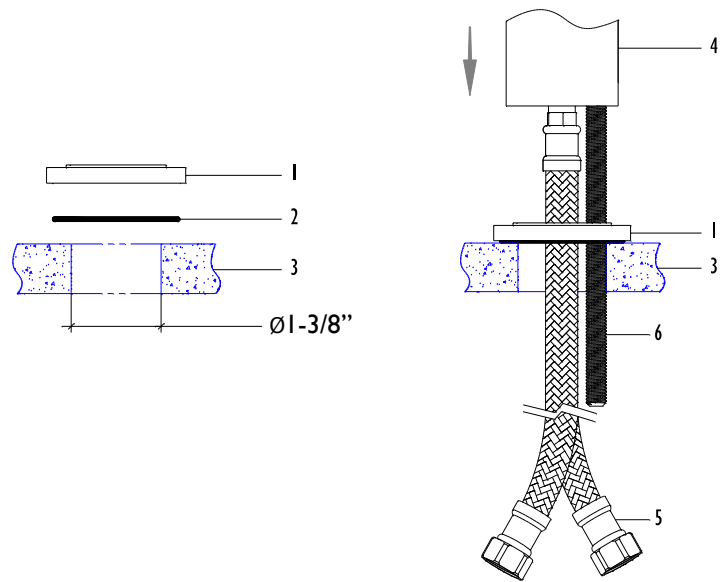


I INSTALLING FAUCET TO SINK/DECK

- Insert O-RING (2) into bottom of BASE RING (1) and center over sink/deck THROUGH-HOLE (3)

NOTE: Recommended sink/deck THROUGH-HOLE is $\varnothing 1-3/8"$

- Insert FLEX HOSE (5) (one at a time) and THREADED ROD (6) through BASE RING (1) and sink/deck THROUGH-HOLE (3)
- Place BODY (4) on top of BASE RING (1)
- From underside of sink/deck THROUGH-HOLE (3), place MOUNTING BRACKET (7) and NUT (8) onto THREADED ROD (6)
- Tighten NUT (8) until BODY (4) and BASE RING (1) is secure to sink/deck

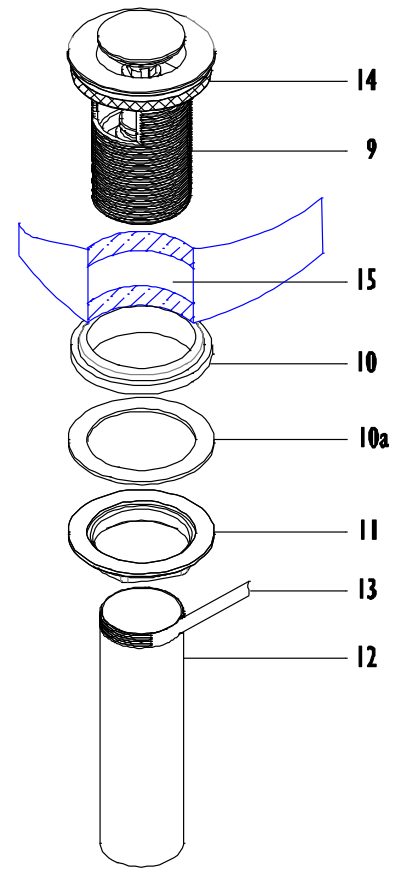


2 TYPICAL DRAIN INSTALLATION

This faucet does not come with a drain because the typical lift rod style drains are not practical for most vessel sinks. Vessel sinks are unique and therefore a standard drain is generally not convenient. Cal Trim, a division of California Faucets, offers a complete selection of various drain styles (e.g. ZeroDrain® Umbrella, Touch Style Pop-up, Lift & Turn, Grid) and configurations (e.g. with/without overflow holes and partially/fully polished & finished) to compliment the range of vessel sinks available.

The following is a typical installation of Cal Trim's Touch Style Pop-up Drain:

- Slide white foam WASHER (14) up under flange of BODY (9)
- or -
- Apply thin film of Silicon® sealant (or equivalent – DO NOT use petroleum-based sealant as this WILL void finish warranty) to underside of flange on BODY (9)
- Insert BODY (9) down through sink drain HOLE (15)
- From underside, slide MACH-WASHER (10) and FRICTION-WASHER (10a) up onto BODY (9)
- Secure BODY (9) into place with flange NUT (11)
- Apply Teflon® tape (13) (not supplied) to threaded portion of TAILPIECE (12) & tighten onto BODY (9)



3 SUPPLY & WASTE CONNECTIONS

- Connect blue colored FLEX HOSE (5) to cold SUPPLY VALVE (17) and red colored FLEX HOSE (5) to hot SUPPLY VALVE (17)

IMPORTANT: Flush supply lines and valves prior to installation to prevent damage and malfunction of cartridge

- Connect waste P-TRAP (16) to drain TAILPIECE (12)

NOTE: Supply valves and P-Trap are not supplied with faucet. See CAL TRIM for complete selection of matching products in desired finish

- Turn on cold and hot SUPPLY VALVES (17)
- Slowly open faucet lever by lifting lever and rotate to left and right
- Check all connections for leaks and repair as necessary
- Give these instructions and Blue Plastic Aerator Key to consumer for safe keeping

NOTE: Occasionally, due to water conditions it may be necessary to remove aerator and clean debris off with soft bristle toothbrush

