



California Faucets®

Solimar™

CF-TO-V7002-9

In-Wall Vessel Lavatory Faucet Installation Instructions

CALIFORNIA FAUCETS RECOMMENDS THAT ALL PLUMBING PRODUCTS BE INSTALLED BY A LICENSED PROFESSIONAL

IMPORTANT: Read all instructions prior to installation and provide copy of instructions to consumer.

Operating Specifications:

Recommended Supply Pressure: 20 to 70 psi**

Maximum Flow Rate: 1.2 gpm

* Operating pressures between hot and cold supplies should vary no more than 30 psi.

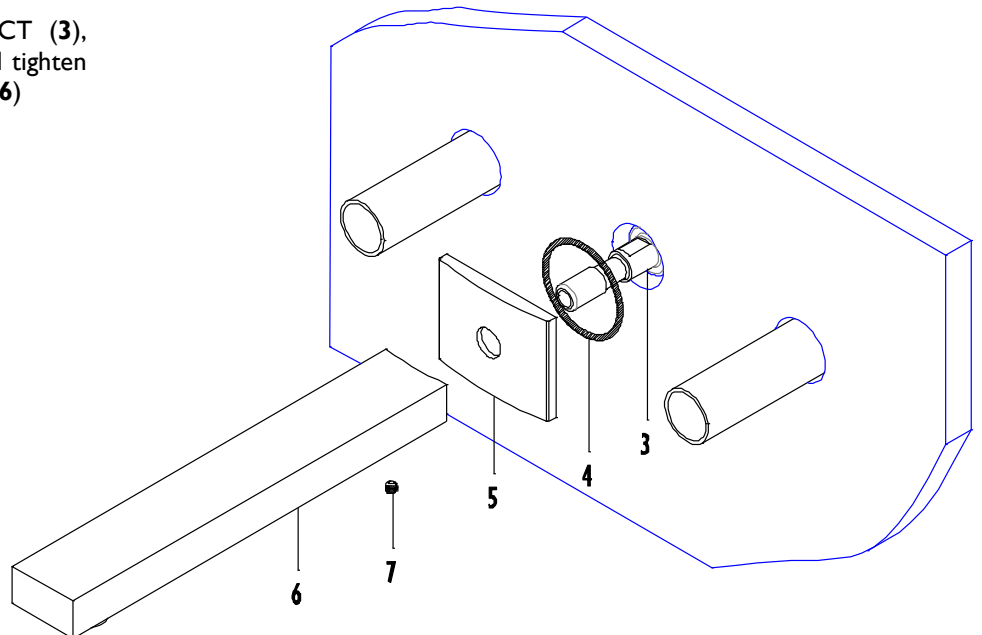
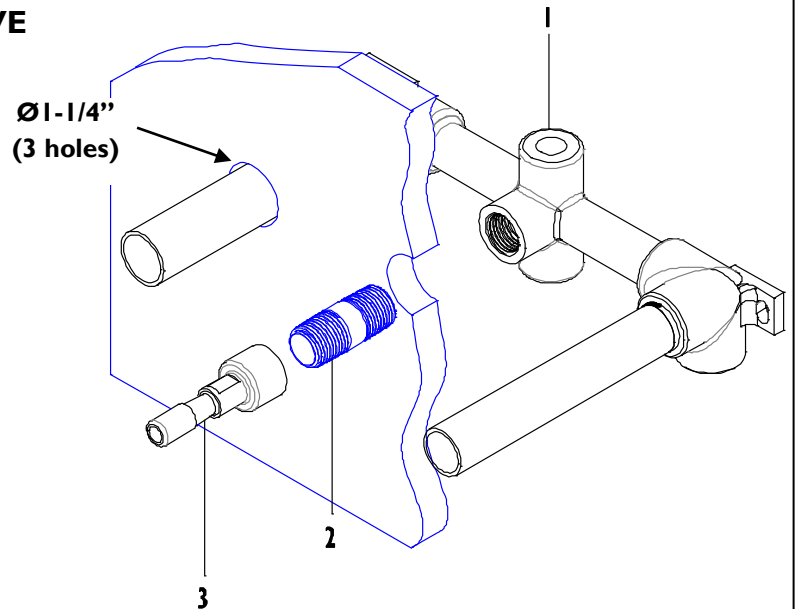
† If water pressure exceeds 70 psi, install a Pressure-Reducing Valve (RPV).

INSTALLING SPOUT TO IN-WALL VALVE

- Prior to installing faucet trim in-wall vessel rough VALVE (1), **CF-VL-R**, must be properly installed and wall surface must be completely finished
- Recommended through-hole size shall be $\varnothing 1-1/4"$
- Apply thread sealant to both threaded ends of NIPPLE (2), not supplied, and tighten into center outlet of VALVE (1)
- Securely tighten QUICK CONNECT (3) onto end of NIPPLE (2) using 1/2" open-end wrench
- Place O-RING (4) into ESCUTCHEON (5) & slide ESCUTCHEON (5) onto QUICK CONNECT (3)

IMPORTANT: To prevent damage to internal o-ring on SPOUT (6), QUICK CONNECT (3) **MUST** be free of any dirt and/or debris

- Slide SPOUT (6) onto QUICK CONNECT (3), align ESCUTCHEON (5) & SPOUT (6) and tighten SETSCREW (7) on bottom side of SPOUT (6)



2 ALIGN & TRIM VALVE STEM

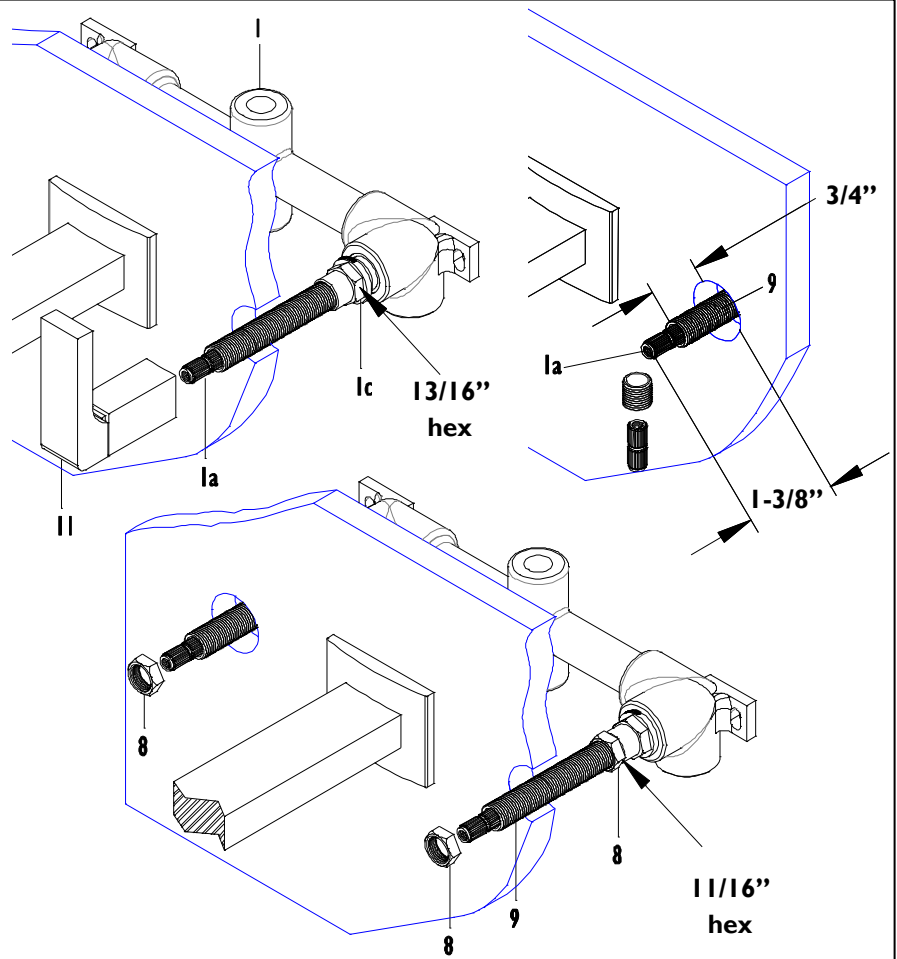
- Remove MUDGUARD (1b) from VALVE (1)
- To obtain proper HANDLE (11) alignment it may be necessary to re-align cartridge STEM (1a); to align STEM (1a), slightly loosen the cartridge NUT (1c), place HANDLE (11) on STEM (1a) and **TIGHTEN** in CW direction until desired alignment is achieved; retighten cartridge NUT (1c) to factory torque setting of 14 ft.-lbs.

WARNING: Cartridge NUT (1c) **MUST** be properly torqued to prevent possible failure and/or water damage

- Unscrew ALL-THREAD (9) from valve STEM (1a)
- Cut STEM (1a) 1-3/8" from finished wall surface
- Reattach ALL-THREAD (9) onto valve STEM (1a), using a marking device (e.g. pencil or marker) indicate a distance of 3/4" from finished wall on ALL-THREAD (9); remove ALL-THREAD (9) and cut off excess ALL-THREAD (9) at indicated mark & reattach ALL-THREAD (9) onto valve STEM (1a) – repeat on other side

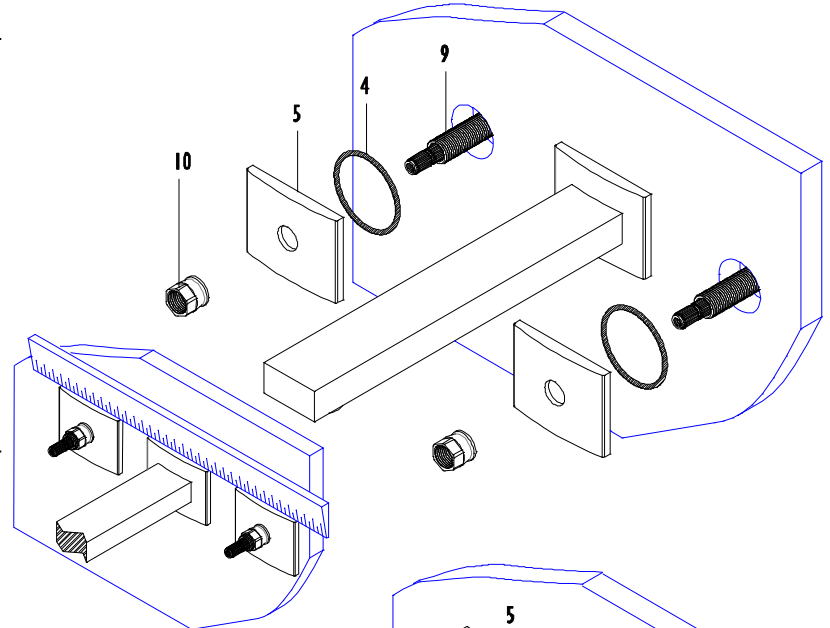
IMPORTANT: To prevent HANDLE (11) rotation during operation of faucet set LOCK-NUT (8) **MUST** be placed on both ALL-THREAD (9) of VALVE (1)

- Place LOCK-NUT (8) onto ALL-THREAD (9) and tighten against cartridge NUT (1c) to prevent ALL-THREAD (9) from rotating while operating HANDLE (11) – repeat on other side



3 INSTALLING ESCUTCHEON

- Insert O-RING (4) into ESCUTCHEON (5) and place onto ALL-THREAD (9)
- Secure ESCUTCHEON (5) onto wall by tightening lock NUT (10)
- To align ESCUTCHEONS (5), use a ruler or straight edge to align the spout and handle escutcheons of the faucet as shown; after alignment retighten lock NUTS (10)



4 INSTALLING HANDLE

- Loosen SETSCREW (11a) from POST (11c)

IMPORTANT: Handle BLADE (11b) shall be aligned with wider portion of handle POST (11c)

- Slide HANDLE (11) down onto and engage valve STEM (1a)
- Handle POST (11c) shall completely cover lock NUT (10) and seat against ESCUTCHEON (5)
- Tighten SETSCREW (11a) and rotate handle BLADE (11b) to check operation, open position is when BLADE (11b) is rotated upward – repeat on other side

