

9623-K10, 9623-K30, 9623-K50, & 9623-K51 Kitchen Combo Hot & Cold Water Dispenser Installation Instructions

CALIFORNIA FAUCETS RECOMMENDS THAT ALL PLUMBING PRODUCTS BE INSTALLED BY A LICENSED PROFESSIONAL

IMPORTANT: Read all instructions prior to installation and provide copy of instructions to consumer.

Operating Specifications:

Recommended Supply Pressure: 20 to 70 psi †

† If water pressure exceeds 70 psi, install a Pressure-Reducing Valve (RPV).

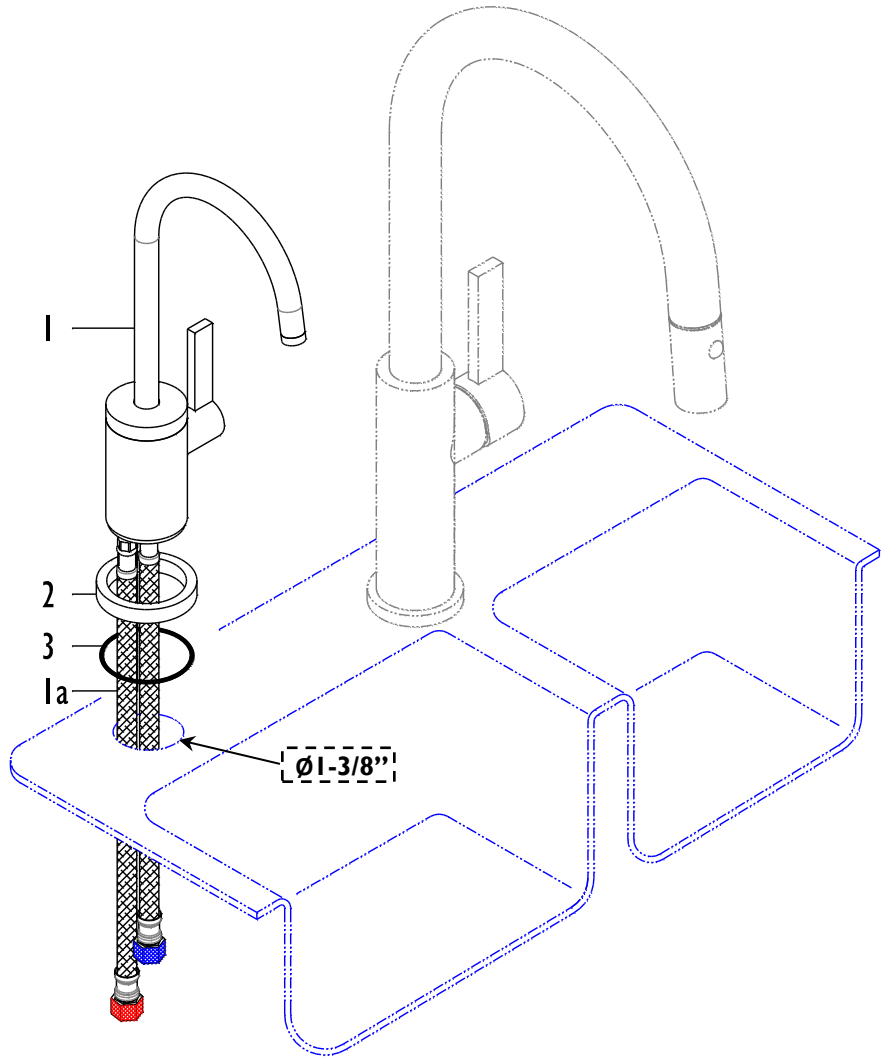
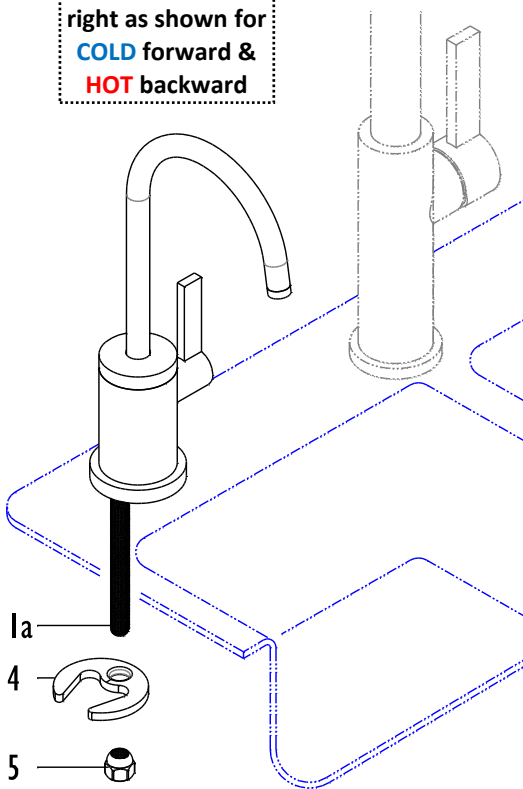
I

INSTALLING TO SINK/DECK

Important: The recommended sink/deck through-hole shall be $\varnothing 1\text{-}3/8"$. Maximum sink/deck thickness should no greater than 3-3/4"

- Place **BASE (2)** with **O-RING (3)** onto **BODY (1)**
Slide **SHANK (1a)**
- From underside slide **MOUNT (4)** and **NUT (5)**
onto **SHANK (1a)**; loosely tighten **NUT (5)**
- From topside position **BODY (1)** with handle on **RIGHT** side as shown and from underside securely tighten **NUT (5)**

Position handle on right as shown for
COLD forward &
HOT backward



Hoses not shown for clarity

WARNING:

Hot water tanks can be dangerous if not installed properly pursuant to specific manufacturer instructions. California Faucets recommends the use of California Faucets **Hot Water Tank Model 9628SS**. California Faucets has no affiliation with any hot water tank manufacturer other than supplier of 9628SS. Our customers are encouraged to retain only qualified, licensed installers as California Faucets is not responsible for any defects related to the hot water tanks or the defective installation of the same.

Important: The recommended hot TANK (6) **MUST** have fittings that are 1/4" compression inlet and 3/8" compression outlet

- Remove and discard from one of the COUPLING (7) one 1/4" NUT (7e) & SLEEVE (7d) from the other COUPLING (7) remove & discard one 3/8" NUT (7c) & SLEEVE (7b)
- Place 1/4" compression NUT (7e) & SLEEVE (7d) onto hot tank INLET (6a) slide coupling BODY (7a) on and securely tighten 1/4" compression NUT (7e) to coupling BODY (7a)
- Place 3/8" compression NUT (7c) & SLEEVE (7b) onto hot tank OUTLET (6b) slide coupling BODY (7a) on and securely tighten 3/8" compression NUT (7c) to coupling BODY (7a)
- Tighten hose from dispenser with RED NUT (8) to COUPLING (7) at tank INLET (6a)
- Tighten one end of TRANSFER HOSE (9) to dispenser SHANK (1a) and other end to COUPLING (7) at tank OUTLET (6b)
- Attach flow RESTRICTOR (11) onto water supply VALVE (12); tighten hose from dispenser with BLUE NUT (10) to flow RESTRICTOR (11)
- Turn on water supply VALVE (12) and operate dispenser by rotating HANDLE (13); check for leaks and adjust as necessary

Warning: DO NOT connect hot TANK (6) to electrical prior to reading Hot Tank 9628SS installation instructions

