

9610-K10, 9610-K30 9610-K50 & 9610-K80 Air Switch for Waste Disposal Installation Instructions

CALIFORNIA FAUCETS RECOMMENDS THAT ALL PLUMBING & ELECTRICAL PRODUCTS BE INSTALLED BY A LICENSED PROFESSIONAL

IMPORTANT: Read all instructions prior to installation and provide copy of instructions to consumer.

Operating Specifications:

Recommended Electrical Supply Outlet Rating: 120V AC @ 15A Min. †

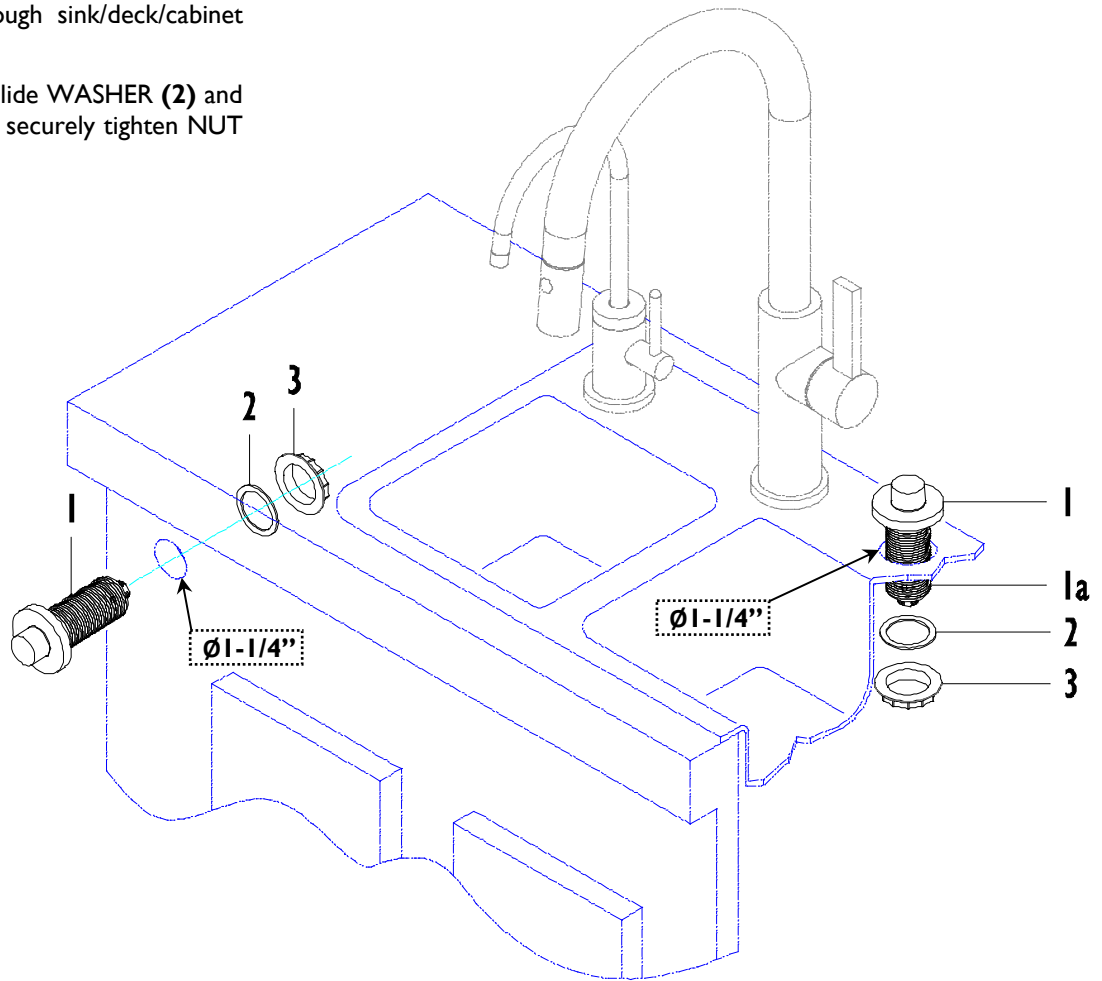
Controller Outlet Output Rating: 120V AC @ 13A (non-inductive) or 1/2 HP (.373 kW) @ 120V AC

† Local codes and ordinances may require a GROUND-FAULT CURRENT INTERRUPTER (GFCI) type.

I INSTALLING TO SINK/DECK/CABINET

Important: Determine location of AIR SWITCH (1). Unit may be mounted on sink, deck or cabinet face. The recommended sink/deck/cabinet through-hole shall be $\varnothing 1-1/4"$. Maximum sink/deck/cabinet thickness should no greater than 2-3/8"

- Place AIR SWITCH (1) though sink/deck/cabinet hole
- From underside or backside slide WASHER (2) and NUT (3) onto SHANK (1a); securely tighten NUT (3)



MOUNTING CONTROLLER

Important: Determine location of CONTROLLER (4). The location should be near the electrical OUTLET (7) and DISPOSAL CORD (8a)

- Mount CONTROLLER (4) to side or back wall under sink with two SCREWS (5) (not supplied)
- Slide TUBE (6) onto air switch OUTLET (1d) and the other end to controller INLET (4a)
- Insert CONTROLLER CORD (4b) into three-prong grounded RECEPTACLE (7)

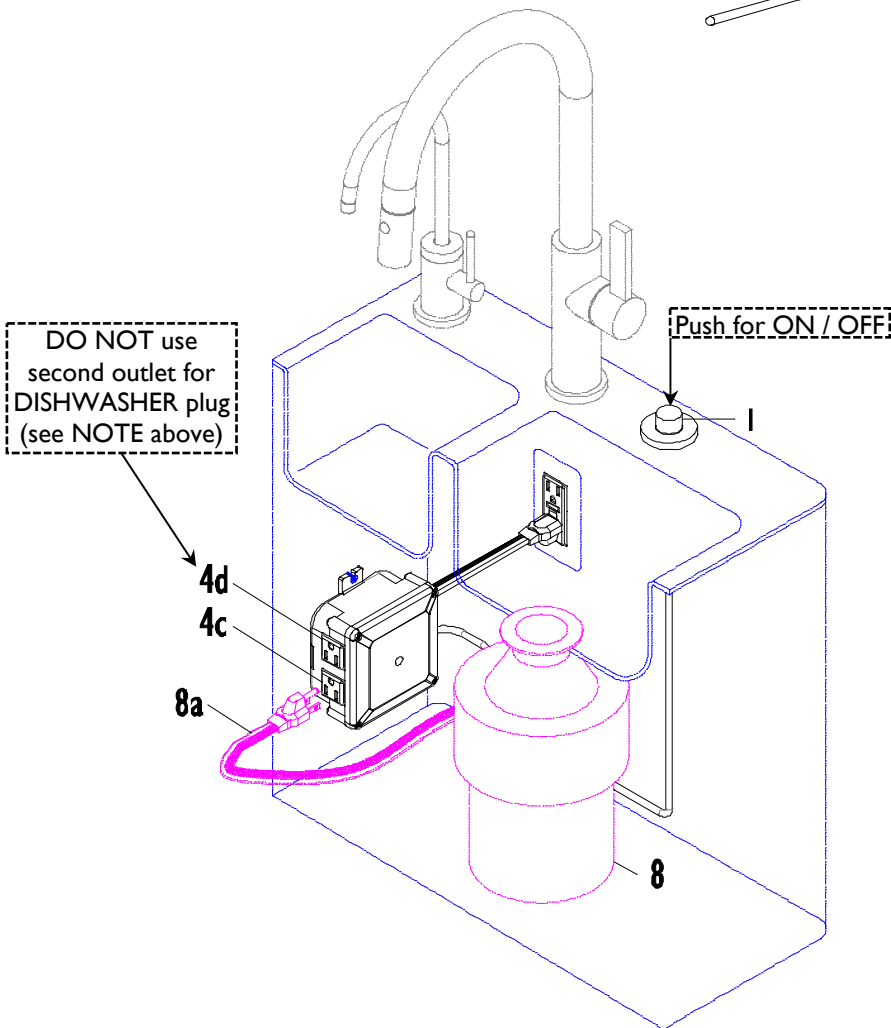
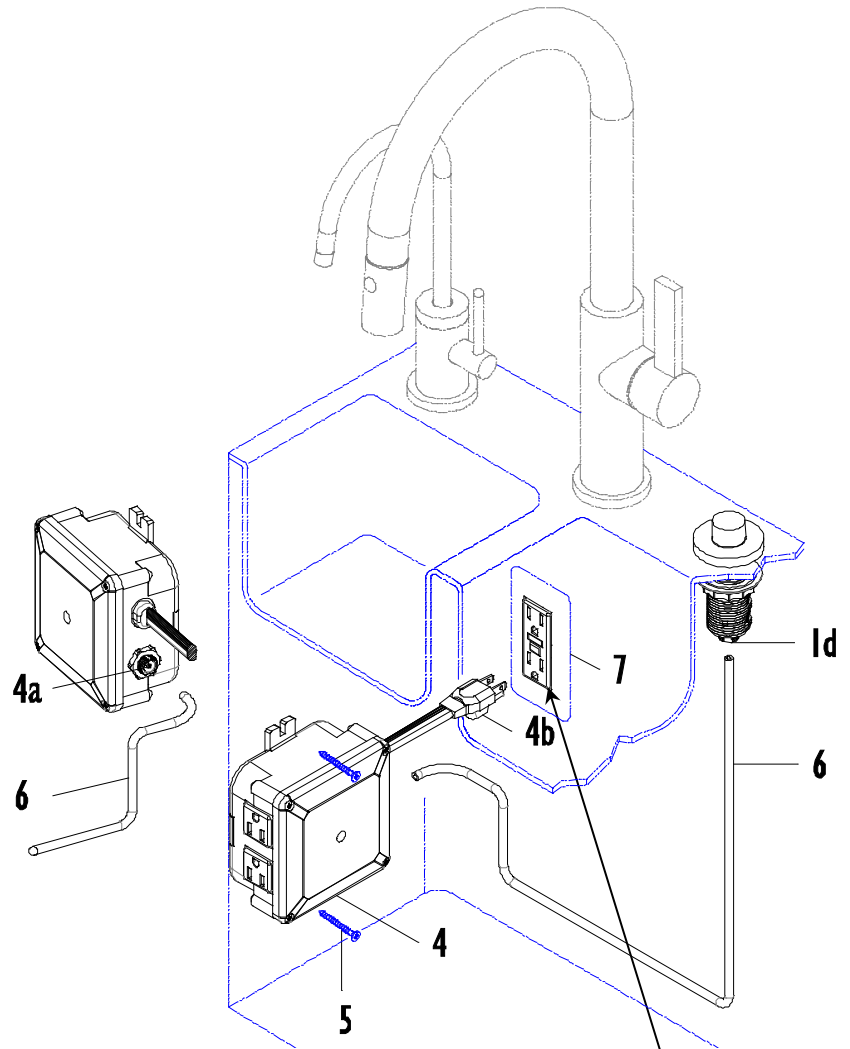
NOTE: three-prong grounded receptacle shall be in accordance with all local electrical codes and ordinances

SPECIAL NOTE: some local codes may require a GFCI-protected receptacle

Warning: When DISPOSAL CORD (8a) is plugged into CONTROLLER OUTLET (4c) the DISPOSAL (8) may turn on; to turn off DISPOSAL (8) press AIR SWITCH (1)

- Insert DISPOSAL CORD (8a) into one of the two CONTROLLER OUTLET (4c)

NOTE: The other CONTROLLER OUTLET (4d) may be used for other device (e.g. instant hot water tank); DO NOT use for dishwasher as this outlet switches OFF when DISPOSAL (8) is in use



THREE-PRONG
GROUNDED RECEPTACLE
15A MIN
Follow all local electrical codes &
ordinances as some may require
GFCI-protected receptacle