

Roman Tub Installation Instructions

CALIFORNIA FAUCETS RECOMMENDS THAT ALL PLUMBING PRODUCTS BE INSTALLED BY A LICENSED PROFESSIONAL

IMPORTANT: Read all instructions prior to installation and provide copy of instructions to consumer.

Operating Specifications:

Recommended Supply Pressure: 20 to 70 psi*†

* Operating pressures between hot and cold supplies should vary no more than 30 psi.

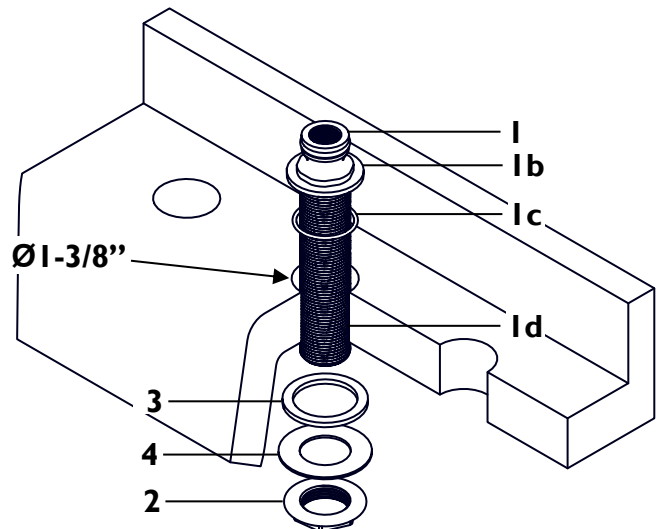
† If water pressure exceeds 70 psi, install a Pressure-Reducing Valve (PRV).

1 INSTALLING QUICK CONNECT

- Remove BRASS NUT (2), PLASTIC WASHER (3), and RUBBER WASHER (4) from QUICK CONNECT (1)
- Ensure that O-RING (1c) is properly seated in BRASS WASHER (1b)
- Insert QUICK CONNECT (1) through hole in deck

NOTE: Tub / Deck recommended hole size is $\varnothing 1-3/8''$

- Place RUBBER WASHER (4), PLASTIC WASHER (3), and BRASS NUT (2) onto quick connect SHANK (1d) from below and secure to tub/deck



2 INSTALLING VALVES

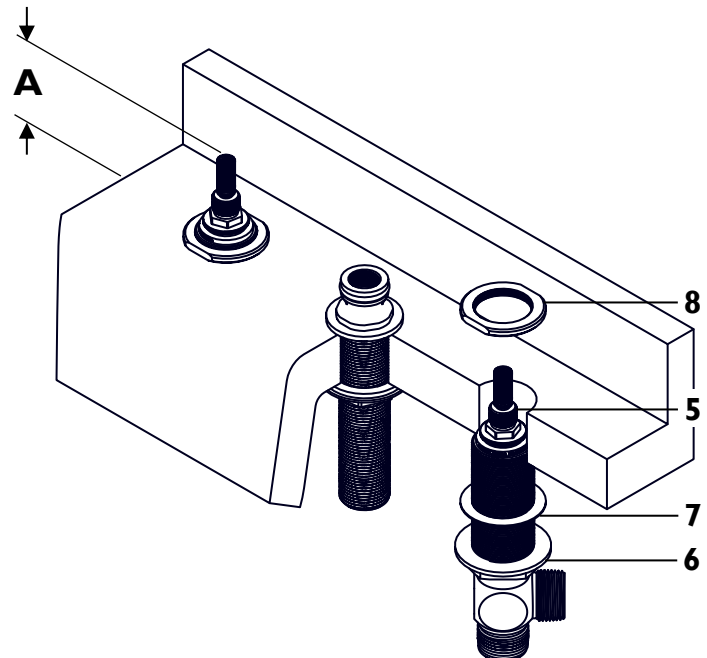
- From underneath insert VALVE (5) through appropriate tub/deck hole

IMPORTANT: VALVES (5) are labeled as follows:
BLUE is **COLD** left turning (counterclockwise) closed
RED is **HOT** right-turning (clockwise) closed

- Position flange NUT (6), and WASHER (7) so that VALVE (5) extends above tub/deck surface according to table

Series	A
45A, 45AX	2"
48, 48X	2-5/16"
65	1-15/16"
66	1-15/16"

- Secure VALVE (5) with TOP NUT (8)



3 INSTALLING SUPPLY LINES

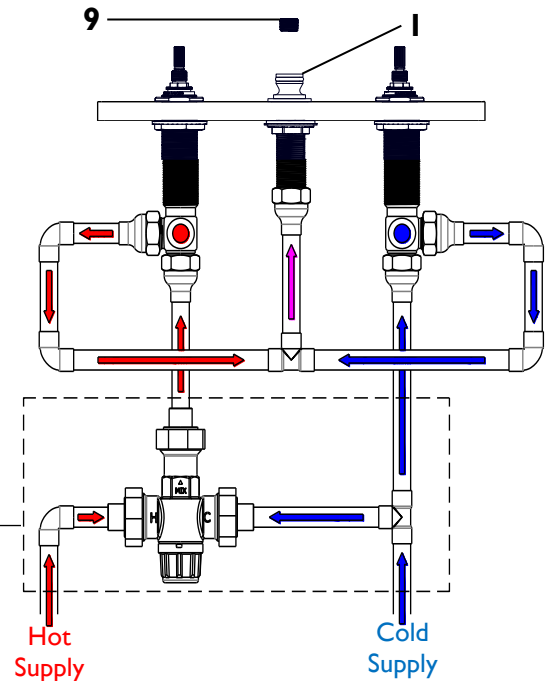
- Make all connections between spout and valves with rigid copper piping (not flex)
- Check for leaks by installing PLUG (9) into QUICK CONNECT (1) outlet
- California Faucets recommends that all installation types have access panel(s) to allow for maintenance and/or service

Disclaimer: To conform to local codes and/or ordinances, it may be required that California Faucets Roman Tub sets be installed in conjunction with an ASSE 1070 approved tempering valve or equivalent (not included) to reduce hot water supply to a safe temperature.

IMPORTANT: the INSTALLER is responsible to check local codes and/or ordinances, to confirm and verify proper maximum hot water temperature settings for all products installed

WARNING: Water temperatures in excess of 110° F (43°C) are dangerous and may cause severe scalding and injury

Typical installation of ASSE 1070 tempering valve (follow tempering valve instructions)



4 INSTALLING TRIM

- Seat SPOUT (10) onto QUICK CONNECT (1)
- Rotate SPOUT (10) to desired position and tighten SETSCREW (10a)
- Place ESCUTCHEON (11) onto VALVE (5) and secure to tub/deck surface
- Loosen SETSCREW (12a) from HANDLE (12)
- Slide HANDLE (12) down onto and engage valve STEM (5a)
- Allow a minimum gap (1/32") between HANDLE (12) and ESCUTCHEON (11), tighten SETSCREW (12a)

IMPORTANT: To obtain proper alignment it may be necessary to rotate VALVE (5) so that HANDLE (12) is aligned to desired orientation

