



California Faucets®

Tel: 714-891-7797
Fax: 714-891-2478
Toll Free: 800-822-8855
www.calfaucets.com

BALBOA 15 SERIES

1508-D

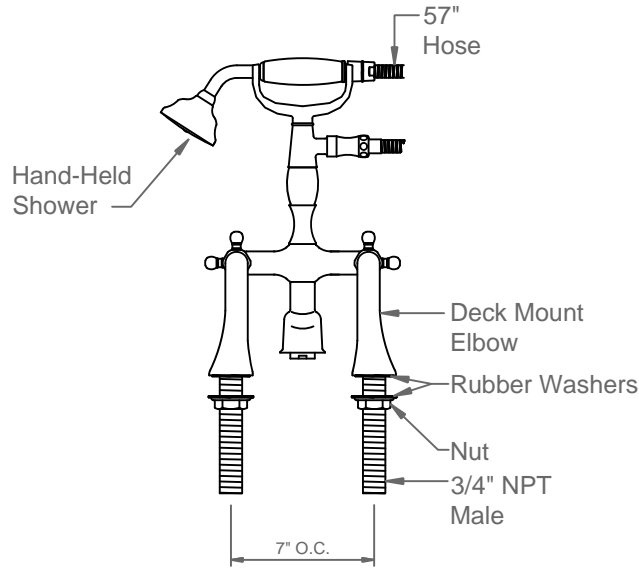
INSTALLATION
INSTRUCTIONS

IMPORTANT

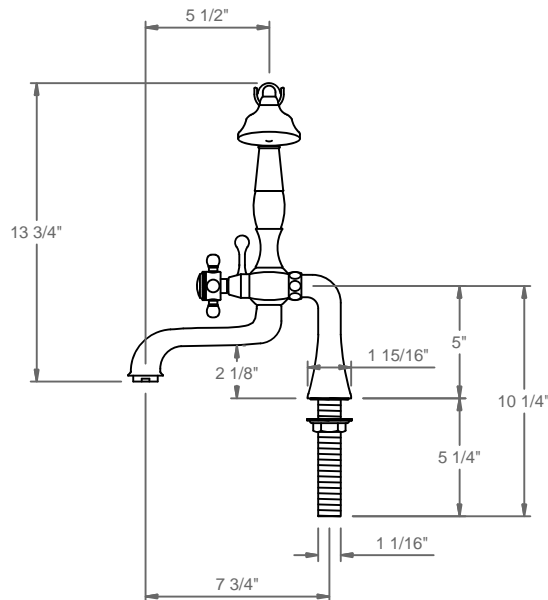
All *California Faucets*® products are engineered to provide quality performance provided they are installed and operated properly. To fully enjoy the comfort, safety, and reliability of your new Tub/Shower Mixer, please install per specifications below.

California Faucets reserves the right to make modification and specification changes at any time.
Please visit www.calfaucets.com for most current technical data.

Flow rate = 10 GPM @ 60 PSI



Rear View



Side View