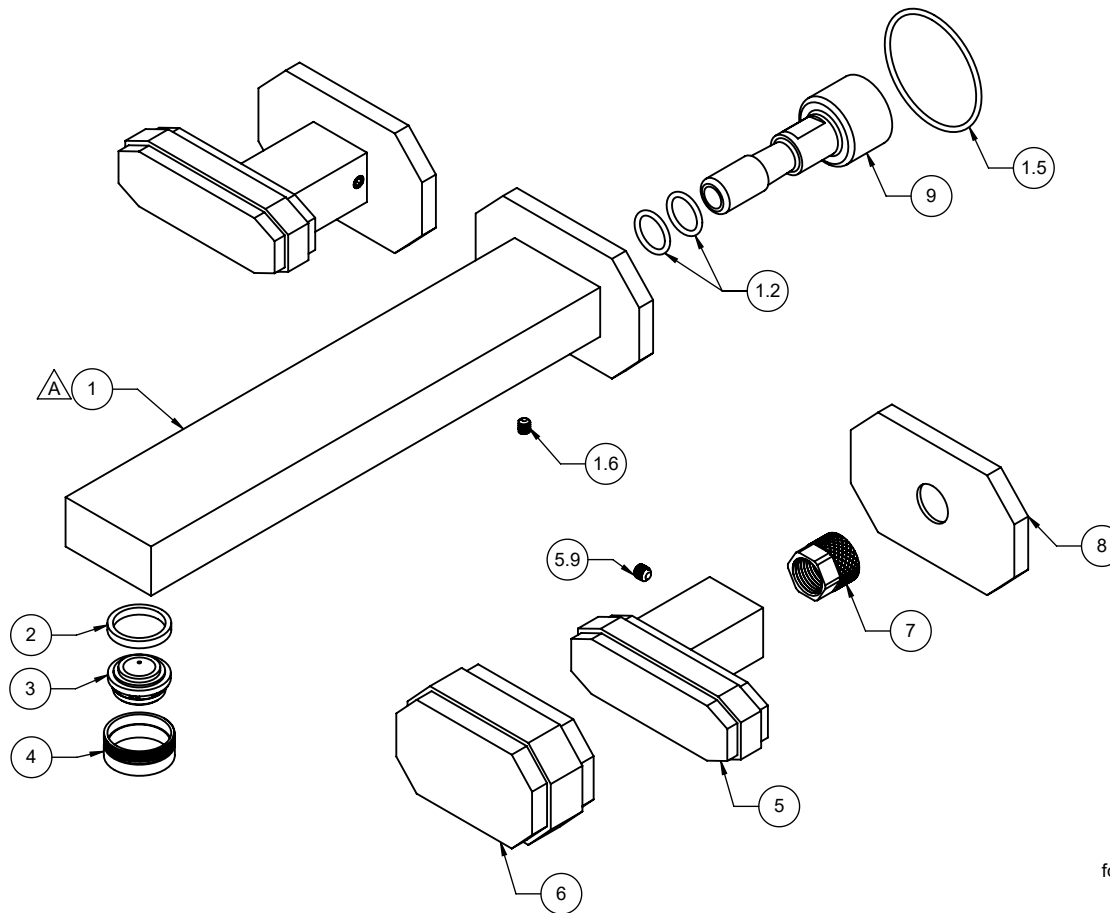


△ REQUIRES ITEM 2, 3, AND 4



To order spare parts add and/or replace as stated below:

SPD- prefix added to part number(s)
-ZZ replaced with finish code (see finish table)
-WW replaced with **-90** (light finish) or **-96** (dark finish)

Ex: **SPD-7-100461-PC** or **SPD-86030-96**

ITEM	PART NO.	DESCRIPTION	QTY.
1	7-100461-ZZ	ASM, 9" WALL VESSEL SPOUT, C2 (incl. 1.2, 1.5, 1.6)	1
1.2	87220-80	O-RING Ø12.42 X 1.78 (-014) EPDM A70 (NSF61-12 & WRAS)	2
1.5	87175-80	O-RING Ø41.00 X 1.78 (-030) BUNA-N A70	1
1.6	86031-90	SETSCREW 8-32 X 3/16 SCKT HD CUP PT SS	1
2	87164-80	WSHR Ø.669" X Ø.846" X .110" EPDM A70 (NSF-61-12)	1
3	880343-81	INSERT, 1.2 GPM, STD SHORTY AERATED - PINK (PCA)	1
4	10628-ZZ	SHELL, STD SHORTY AERATOR 15/16"-27 MALE	1
for C2 series	5	7-100458-ZZ ASM, OCT HNDL LEVER HDL (incl. 5.9)	2
	5.9	86033-WW SETSCREW 10-24 X 3/16 SCKT HD CUP PT SS	1
for C2B series	6	7-100459-ZZ ASM, OCT BLOCK HDL (incl. 5.9)	2
	7	880371-15B NUT, TIE-DOWN, BARREL Ni PLT - KNURLED	2
	8	11027-ZZ BASE, OCT HNDL	2
	9	880129-98 QUICK CONNECT, WALL SPT "NL"	1
for ITEM 1.6	10	882042-99 KEY, ALLEN, 5/64", BLACK	1
for ITEM 5.9	11	882043-99 KEY, ALLEN, 3/32", BLACK	1