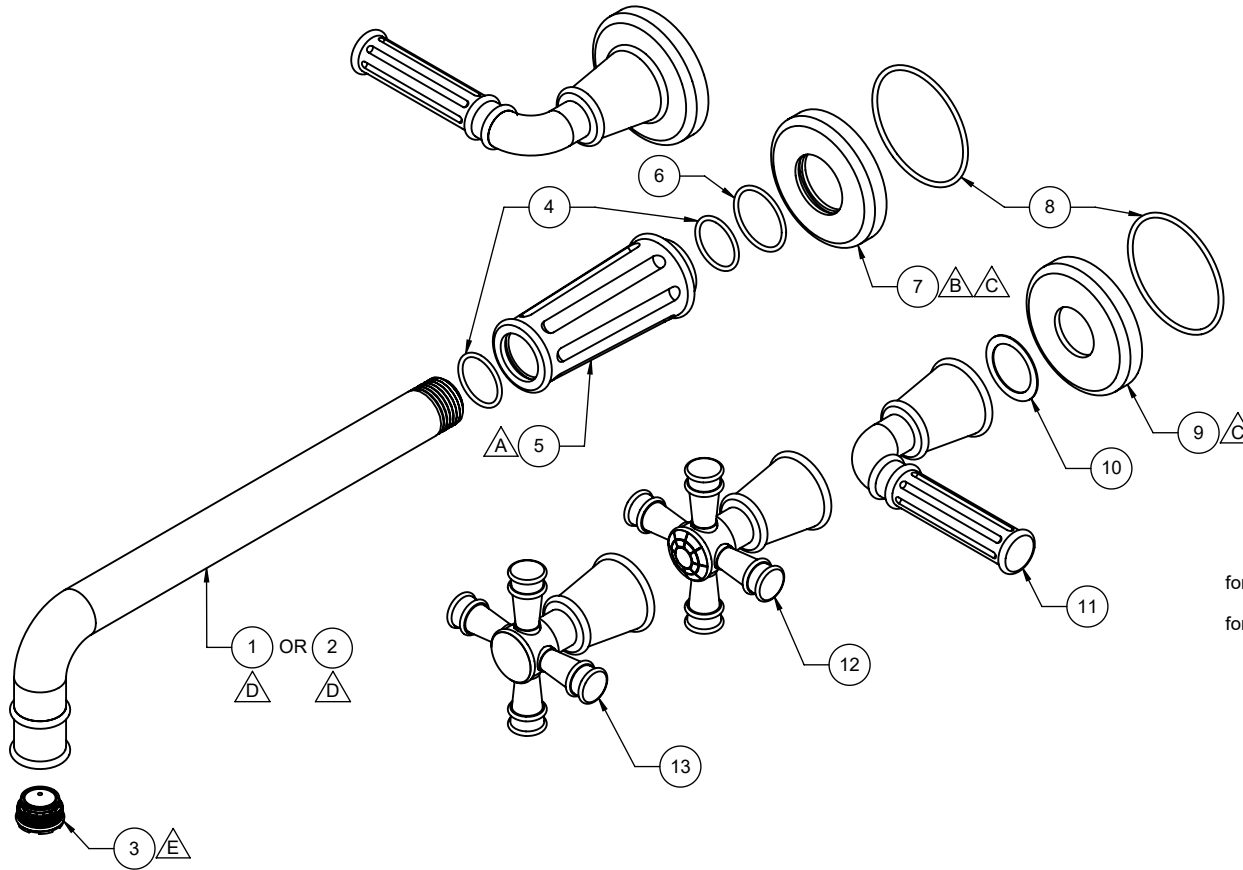


TO-VC102-7
 TO-VC102X-7
 TO-VC102XS-7
 TO-VC102-9
 TO-VC102X-9
 TO-VC102XS-9

- △ REQUIRES ITEM ④
- △ REQUIRES ITEM ⑥
- △ REQUIRES ITEM ⑧
- △ REQUIRES ITEM ③
- △ REQUIRES ITEM ⑮



To order spare parts add and/or replace as stated below:

SPD- prefix added to part number(s)
-ZZ replaced with finish code (see finish table)
-WW replaced with **-90** (light finish) or **-96** (dark finish)

Ex: **SPD-7-100423-PC** or **SPD-86030-96**

ITEM	PART NO.	DESCRIPTION	QTY.
for all -7	1	7-100423-ZZ ASM, VS SPOUT, 7" 90° BEND, "NL"	1
for all -9	2	7-100424-ZZ ASM, VS SPOUT, 9" 90° BEND, "NL"	1
	3	880357-81 INSERT, 1.2 GPM, TJ AERATED (PCA CACHE) - PINK	1
	4	87233-80 O-RING Ø20.35 X 1.78 (-019) NBR A70 (NSF61-12 & WRAS)	2
	5	11011-ZZ SPOUT BASE, Ø21.08 MM (.83") ID THRU, FLUTED	1
	6	87204-80 O-RING Ø25.12 X 1.78 (-022) EPDM A70 (NSF-61 & WRAS)	1
	7	11009-ZZ RING, Ø26.4MM ID BASE W/ ID GROOVE, R3.0MM	1
	8	87263-80 O-RING Ø49.00 X 2.00 (NA) BUNA-N A70	3
	9	10990-ZZ RING, Ø22.0MM ID BASE, R3.0MM	2
	10	87191-81 WSHR Ø21.46 X Ø28.58 X 0.508MM UHMW	2
for C1 series	11	7-100416-ZZ ASM, C1 THREADED LEVER HDL	2
for C1X series	12	7-100418-ZZ ASM, C1 THREADED X-HDL	2
for C1XS series	13	7-100537-ZZ ASM, C1 THREADED X-HDL - SMOOTH	2
	15	880079-99 KEY, TJ AERATED CACHE	1