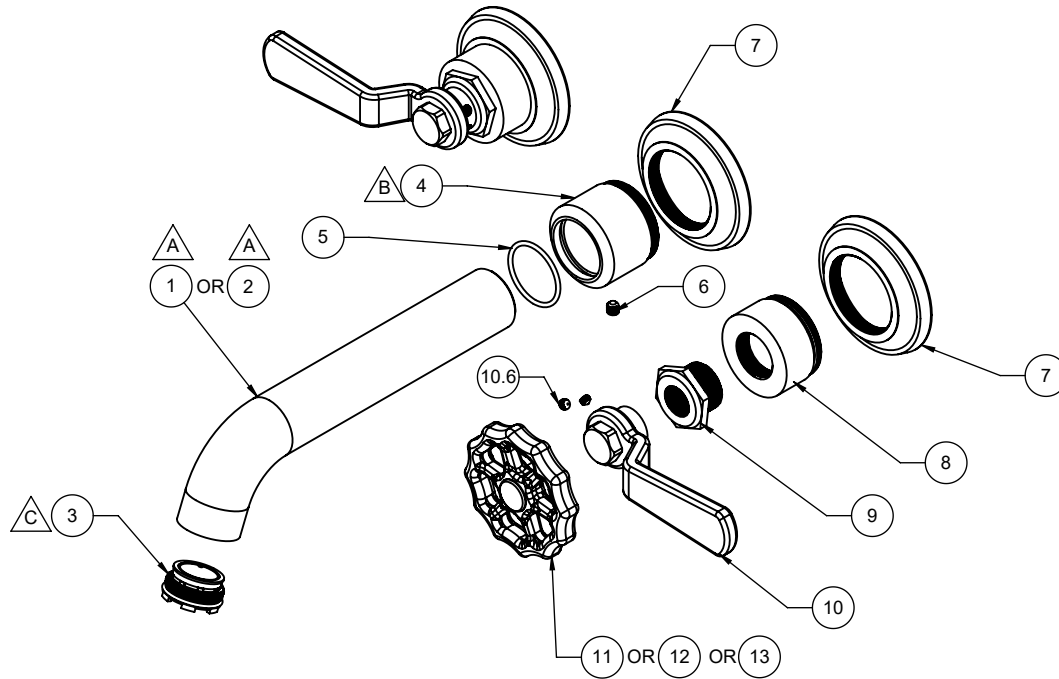


TO-V8002-7
 TO-V8002W-7
 TO-V8002WB-7
 TO-V8002WR-7
 TO-V8002-9
 TO-V8002W-9
 TO-V8002WB-9
 TO-V8002WR-9

- △ A REQUIRES ITEM (3)
- △ B REQUIRES ITEM (5) AND (6)
- △ C REQUIRES ITEM (16)



To order spare parts add and/or replace as stated below:

SPD- prefix added to part number(s)
-ZZ replaced with finish code (see finish table)
-WW replaced with **-90** (light finish) or **-96** (dark finish)

Ex: **SPD-7-100463-PC** or **SPD-86030-96**

ITEM	PART NO	DESCRIPTION	QTY.
for all -7	1	7-100269-ZZ ASM, VS SPOUT, 7", ANGLED OUTLET - SMOOTH	1
for all -9	2	7-100270-ZZ ASM, VS SPOUT, 9", ANGLED OUTLET - SMOOTH	1
	3	880358-81 INSERT, 1.2 GPM, STD AERATED (PCA CACHE)	1
	4	10763-ZZ BASE, VESSEL SPT, W/THRU-HOLE	1
	5	87204-80 O-RING Ø25.12 X 1.78 (-022) EPDM A70 (NSF-61 &WRAS)	1
	6	86033-90 SETSCREW 10-24 X 3/16 SCKT HD CUP PT SS	1
	7	10363-ZZ RING, BASE, TRAD	3
	8	10751-ZZ ESCUTCHEON, SCALLOPED	2
	9	10760-ZZ NUT, SCALLOPED ESCUTCHEON	2
for 80 Series	10	7-100536-ZZ ASM, BALL LEVER HDL <i>(incl. 10.6)</i>	2
	10.6	86170-WW SETSCREW 8-32 X 1/8" SCKT CONE PT SS	2
for 80W Series	11	7-100465-ZZ ASM, SPOKED WHEEL <i>(incl. 10.6)</i>	2
for 80WB Series	12	7-100465B-ZZ ASM, SPOKED WHEEL - BLACK <i>(incl. 10.6)</i>	2
for 80WR Series	13	7-100465R-ZZ ASM, SPOKED WHEEL - RED <i>(incl. 10.6)</i>	2
for ITEM 10.6	14	882042-99 KEY, ALLEN, 5/64", BLACK	1
for ITEM 6	15	882043-99 KEY, ALLEN, 3/32", BLACK	1
	16	223473-99 KEY, STD CACHE AERATOR INSERT	1