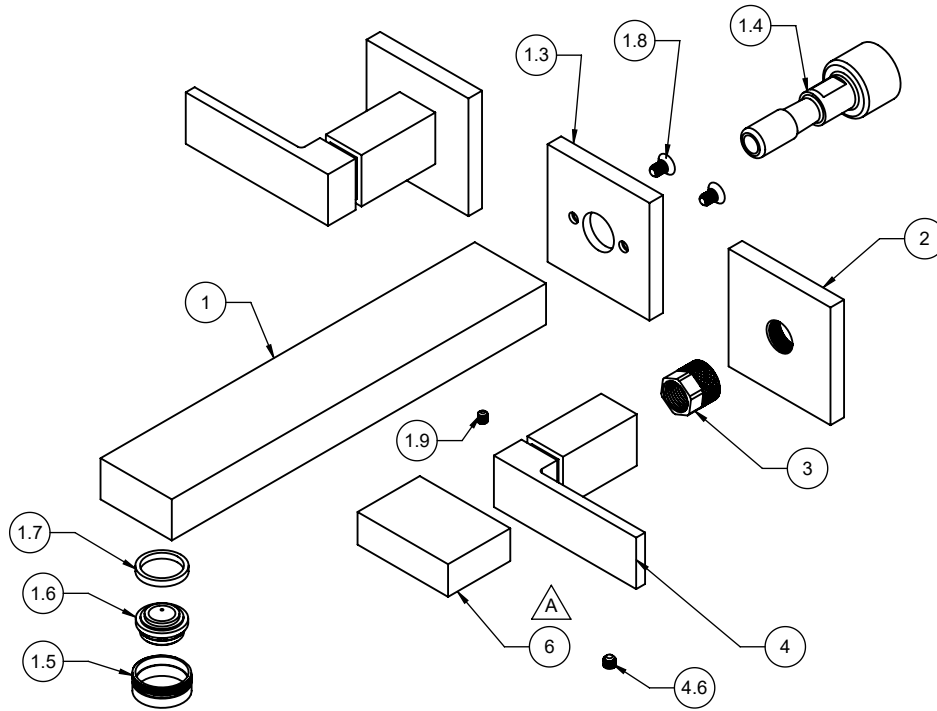


△ DOES NOT REQUIRE ITEM ③



To order spare parts add and/or replace as stated below:

SPD- prefix added to part number(s)
-ZZ replaced with finish code (see finish table)
-WW replaced with **-90** (light finish) or **-96** (dark finish)

Ex: **SPD-7-100463-PC** or **SPD-86030-96**

ITEM	PART NO	DESCRIPTION	QTY.	
1	7-100255-ZZ	ASM, SPOUT, 77 SERIES VESSEL (incl. 1.3, 1.4, 1.5, 1.6, 1.7, 1.8, 1.9)	1	
1.3	10642-ZZ	BASE RING, RT 57.2MM X 57.2MM	1	
1.4	880129-98	QUICK CONNECT, WALL SPT "NL"	1	
1.5	10628-ZZ	SHELL, STD SHORTY AERATOR 15/16" - 27 MALE	1	
1.6	880343-81	INSERT, 1.2 GPM, STD SHORTY AERATED - PINK (PCA)	1	
1.7	87164-80	WSHR Ø.669" X Ø.846" X .110" EPDM A70 (NSF-61-12)	1	
1.8	86080-90	SCREW 10-24 X 5/16" PH FLT HD SS	2	
1.9	86031-90	SETSCREW 8-32 X 3/16 SCKT HD CUP PT SS	1	
2	10457-ZZ	ESCUTCHEON, SQ	2	
3	880371-15B	NUT, TIE-DOWN, BARREL Ni PLT - KNURLED	2	
for 77 Series	4	7-100216-ZZ	ASM, SQ. LVR, L-SHAPED (incl. 4.6)	2
	4.6	86033-WW	SETSCREW 10-24 X 3/16 SCKT HD CUP PT SS	1
for 77R Series	6	7-100252-ZZ	ASM, RECTANGULAR HANDLE (incl. 4.6)	2
for ITEM 1.9	7	882042-99	KEY, ALLEN, 5/64", BLACK	1
for ITEM 4.6	8	882043-99	KEY, ALLEN, 3/32", BLACK	1