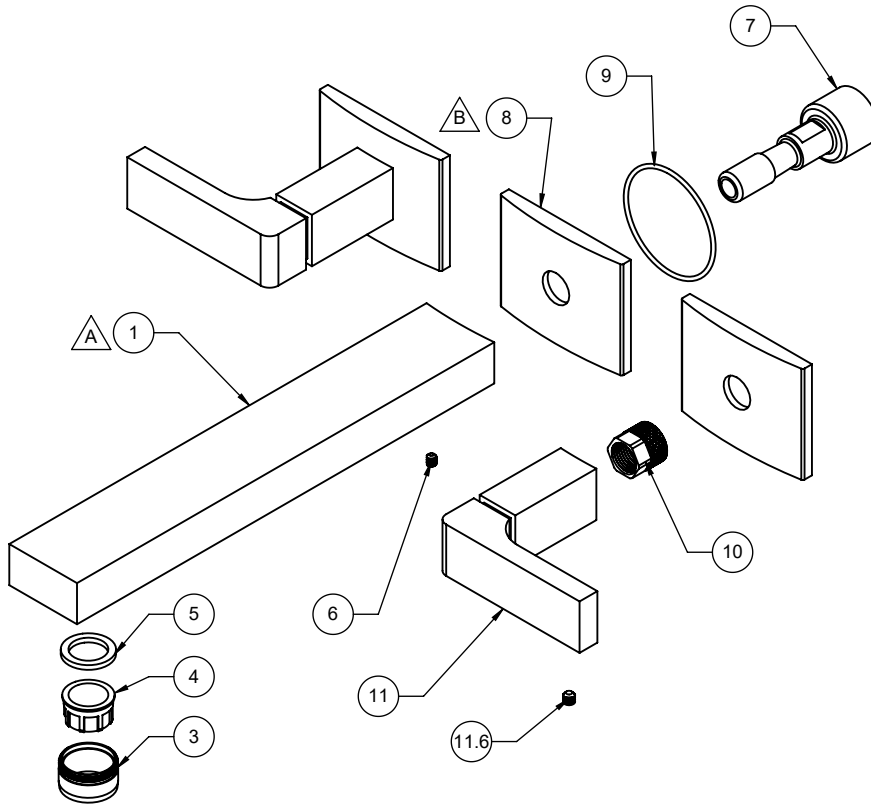


△ REQUIRES ITEM ③, ④, ⑤, AND ⑥

△ REQUIRES ITEM ⑨



To order spare parts add and/or replace as stated below:

SPD- prefix added to part number(s)
-ZZ replaced with finish code (see finish table)
-WW replaced with **-90** (light finish) or **-96** (dark finish)

Ex: **SPD-7-100463-PC** or **SPD-86030-96**

ITEM	PART NO	DESCRIPTION	QTY.
1	10332-ZZ	SPOUT, WALL	1
3	880168-ZZ	SHELL, STD 15/16"-27, MALE THD	1
4	880075-99	INSERT, 1.5 GPM, STD AERATED (PCA PERLATOR)	1
5	881829-99	WSHR AERATOR, .839 X .590 X .110 EPDM A70 (NSF 61)	1
6	86031-90	SETSCREW 8-32 X 3/16 SCKT HD CUP PT SS	1
7	880129-98	QUICK CONNECT, WALL SPT "NL"	1
8	10467-ZZ	ESCUTCHEON, HANDLE	3
9	87124-80	O-RING Ø47.34 X 1.78(-032) BUNA-N A70	3
10	880371-15B	NUT, TIE-DOWN, BARREL Ni PLT - KNURLED	2
11	7-100098-ZZ	ASM, SQ. LVR & POST (incl. 11.6)	2
11.6	86033-90	SETSCREW 10-24 X 3/16 SCKT HD CUP PT SS	1
13	882042-99	KEY, ALLEN, 5/64", BLACK	1
14	882043-99	KEY, ALLEN, 3/32", BLACK	1

for ITEM 6

for ITEM 11.6