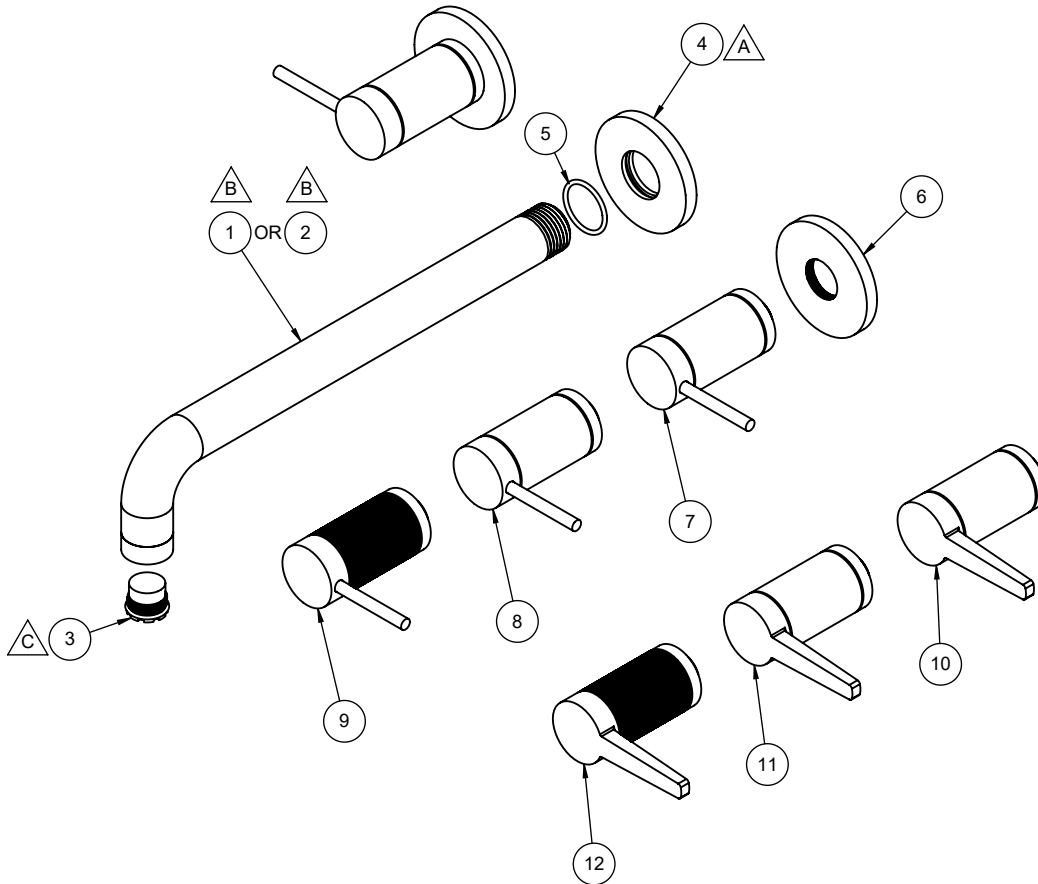


TO-V5202-7  
 TO-V5202F-7  
 TO-V5202K-7  
 TO-V5202-9  
 TO-V5202F-9  
 TO-V5202K-9

- △ REQUIRES ITEM 5
- △ REQUIRES ITEM 3
- △ REQUIRES ITEM 15



To order spare parts add and/or replace as stated below:

**SPD-** prefix added to part number(s)  
**-ZZ** replaced with finish code (see finish table)  
**-WW** replaced with **-90** (light finish) or **-96** (dark finish)

Ex: **SPD-7-100463-PC** or **SPD-86030-96**

	ITEM	PART NO.	DESCRIPTION	QTY
for all -7	1	7-100561-ZZ	ASM, CONT. VS SPOUT, 7" 90° BEND	1
for all -9	2	7-100562-ZZ	ASM, CONT. VS SPOUT, 9" 90° BEND	1
	3	880356-81	INSERT, 1.2 GPM, TT LAMINAR (CACHE)	1
	4	11087-ZZ	WALL SPT BASE RING, CONT, Ø2"	1
	5	87233-80	O-RING Ø20.35 X 1.78 (-019) NBR A70 (NSF61-12 & WRAS)	1
	6	11089-ZZ	ESCUTCHEON, RD Ø2" W/ M18 X 1.0	2
for 52 Series	7	7-100371-ZZ	ASM, STICK LEV HDL W/SMOOTH CYL	2
for 52F Series	8	7-100372-ZZ	ASM, STICK LEV HDL W/CARBON FIBER CYL	2
for 52K Series	9	7-100422-ZZ	ASM, STICK LEV HDL W/KNURLED CYL	2
for 53 Series	10	7-100478-ZZ	ASM, TANG LEV HDL W/SMOOTH CYL	2
for 53F Series	11	7-100479-ZZ	ASM, TANG LEV HDL W/CARBON FIBER CYL	2
for 53K Series	12	7-100480-ZZ	ASM, TANG LEV HDL W/KNURLED CYL	2
	15	223472-99	KEY, TT CACHE AERATOR INSERT	1