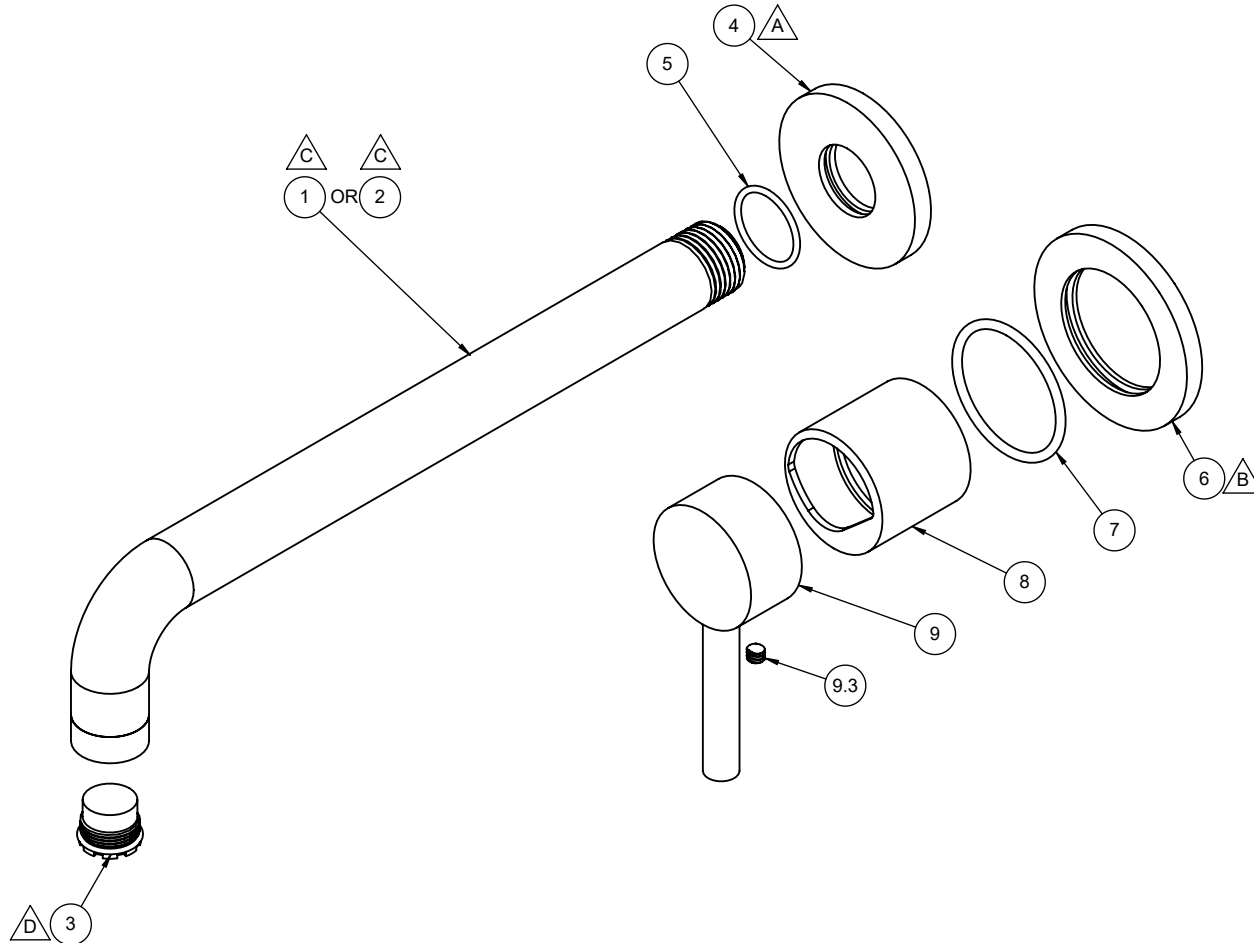


- △ A REQUIRES ITEM 5
- △ B REQUIRES ITEM 7
- △ C REQUIRES ITEM 3
- △ D REQUIRES ITEM 13



To order spare parts add and/or replace as stated below:

SPD- prefix added to part number(s)
-ZZ replaced with finish code (see finish table)
-WW replaced with **-90** (light finish) or **-96** (dark finish)

Ex: **SPD-7-100463-PC** or **SPD-86030-96**

ITEM	PART NO.	DESCRIPTION	QTY
for all -7	1	7-100561-ZZ ASM, CONT. VS SPOUT, 7" 90° BEND	1
for all -9	2	7-100562-ZZ ASM, CONT. VS SPOUT, 9" 90° BEND	1
	3	880356-81 INSERT, 1.2 GPM, TT LAMINAR (CACHE)	1
	4	11087-ZZ WALL SPT BASE RING, CONT, Ø2"	1
	5	87081-80 O-RING 20.35 X 1.78 (-019) BUNA-N A70	1
	6	11250-ZZ BASE RING, CONTEMP RND	1
	7	87029-80 O-RING, 36.17 X 2.62 (-127) BUNA-N A70	1
	8	11248-ZZ BONNET, ROUND	1
	9	7-100577-ZZ ASM, SHV 52 SERIES HDL (incl. 9.3)	1
	9.3	86047-90 SETSCREW 10-24 X 3/16 SCKT HD CONE PT SS	1
for ITEM 9.3	12	882043-99 KEY, ALLEN, 3/32", BLACK	1
	13	223472-99 KEY, TT CACHE AERATOR INSERT	1