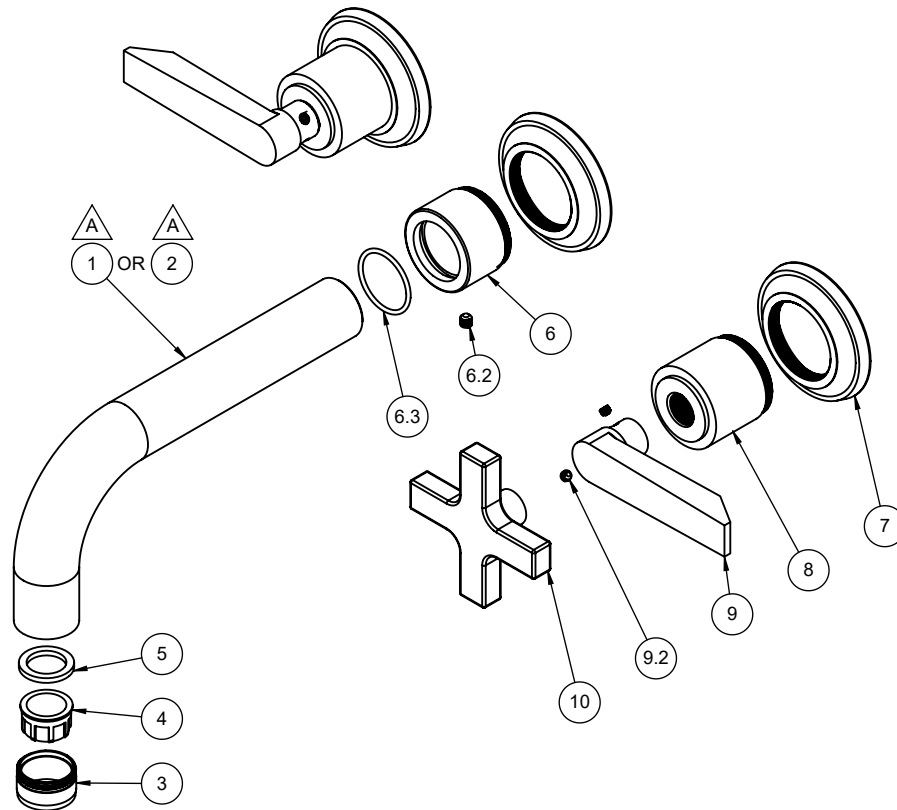


△ REQUIRES ITEM 3, 4, AND 5

TO-V4502-7
TO-V4502-9
TO-V4502X-7
TO-V4502X-9



To order spare parts add and/or replace as stated below:

SPD- prefix added to part number(s)
-ZZ replaced with finish code (see finish table)
-WW replaced with **-90** (light finish) or **-96** (dark finish)

Ex: **SPD-7-100463-PC** or **SPD-86030-96**

| | ITEM | PART NO. | DESCRIPTION | QTY |
|----------------|------|-------------|---|-----|
| for all -7 | 1 | 7-100085-ZZ | ASM, VS SPOUT, 7" CONT TUBE STYLE, "NL" | 1 |
| for all -9 | 2 | 7-100086-ZZ | ASM, VS SPOUT, 9" CONT TUBE STYLE, "NL" | 1 |
| | 3 | 880168-ZZ | SHELL, STD 15/16"-27, MALE THD | 1 |
| | 4 | 880354-81 | INSERT, 1.2 GPM STD AERATED (PCA PERLATOR) | 1 |
| | 5 | 881829-99 | WSHR AERATOR, .839 X .590 X .110 EPDM A70 (NSF 61) | 1 |
| | 6 | 7-653092-ZZ | BASE W/ SCREW & O-RING <i>(incl 6.2, 6.3)</i> | 1 |
| | 6.2 | 86033-WW | SETSCREW 10-24 X 3/16 SCKT HD CUP PT SS | 1 |
| | 6.3 | 87204-80 | O-RING Ø25.12 X 1.78 (-022) EPDM A70 (NSF-61 &WRAS) | 1 |
| | 7 | 10363-ZZ | RING, BASE, TRAD | 3 |
| | 8 | 652120-ZZ | ESCUTCHEON, 65 & 66 SERIES | 2 |
| for 45 Series | 9 | 7-100135-ZZ | ASM, LEVER HANDLE - ART DECO <i>(incl. 9.2)</i> | 2 |
| | 9.2 | 86030-WW | SETSCREW 8-32 X 1/8 SCKT HD CUP PT SS | 2 |
| for 45X Series | 10 | 7-100267-ZZ | ASM, SQ. CROSS HDL <i>(incl. 9.2)</i> | 2 |
| for ITEM 9.2 | 12 | 882042-99 | KEY, ALLEN, 5/64", BLACK | 1 |
| for ITEM 6.2 | 13 | 882043-99 | KEY, ALLEN, 3/32", BLACK | 1 |