

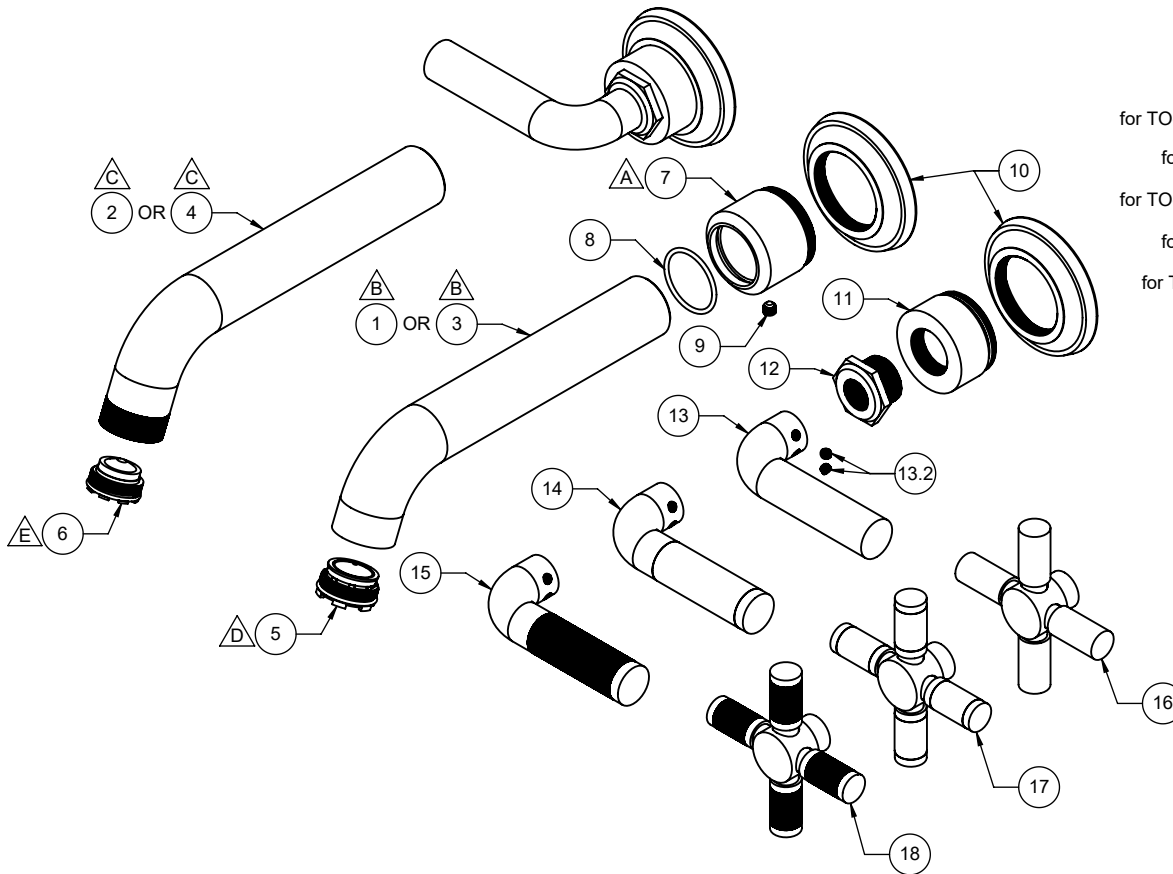
- △ REQUIRES ITEM 8
- △ REQUIRES ITEM 5
- △ REQUIRES ITEM 6
- △ REQUIRES ITEM 20
- △ REQUIRES ITEM 21

TO-V3002-7 TO-V3002X-9  
 TO-V3002F-7 TO-V3002XF-9  
 TO-V3002K-7 TO-V3002XK-9

To order spare parts add and/or replace as stated below:

**SPD-** prefix added to part number(s)  
**-ZZ** replaced with finish code (see finish table)  
**-WW** replaced with **-90** (light finish) or **-96** (dark finish)

Ex: **SPD-7-100278-PC** or **SPD-86030-96**



ITEM	PART NO.	DESCRIPTION	QTY.
for TO-V3002 / F / X / XF -7	1	7-100269-ZZ ASM, VS SPOUT, 7", ANGLED OUTLET - SMOOTH	1
for TO-V3002K / XK -7	2	7-100305-ZZ ASM, VS SPOUT, 7", ANGLED OUTLET - KNURL	1
for TO-V3002 / F / X / XF -9	3	7-100270-ZZ ASM, VS SPOUT, 9", ANGLED OUTLET - SMOOTH	1
for TO-V3002K / XK -9	4	7-100306-ZZ ASM, VS SPOUT, 9", ANGLED OUTLET - KNURL	1
for TO-V3002 / F / X / XF	5	880358-81 INSERT, 1.2 GPM, STD AERATED (PCA CACHE)	1
for TO-V3002K / XK	6	880433-81 INSERT, JUNIOR, 1.2 GPM CACHE AERATED	1
	7	10763-ZZ BASE, VESSEL SPT, W/THRU-HOLE	1
	8	87204-80 O-RING Ø25.12 X 1.78 (-022) EPDM A70 (NSF-61 &WRAS)	1
	9	86033-WW SETSCREW 10-24 X 3/16 SCKT HD CUP PT SS	1
	10	10363-ZZ RING, BASE, TRAD	3
	11	10751-ZZ ESCUTCHEON, SCALLOPED	2
	12	10760-ZZ NUT, SCALLOPED ESCUTCHEON	2
for 30 series	13	7-100146-ZZ ASM, LEVER, 74 SERIES "BROACHED" (incl. 13.2)	2
	13.2	86030-WW SETSCREW 8-32 X 1/8 SCKT HD CUP PT SS	2
for 30F series	14	7-100277-ZZ ASM, CARBON FIBER LEVER (incl. 13.2)	2
for 30K series	15	7-100271-ZZ ASM, KNURLED LEVER (incl. 13.2)	2
for 30X series	16	7-100291-ZZ ASM, INDUSTRIAL X-HDL SMOOTH (incl. 13.2)	2
for 30XF series	17	7-100292-ZZ ASM, INDUSTRIAL X-HDL CARBON FIBER (incl. 13.2)	2
for 30XK series	18	7-100293-ZZ ASM, INDUSTRIAL X-HDL KNURLED (incl. 13.2)	2
	20	223473-99 KEY, STD CACHE AERATOR INSERT	1
	21	880255-81 KEY, JR AERATED CACHE	1
for ITEM 9	22	882043-99 KEY, ALLEN, 3/32", BLACK	1
for ITEM 13.2	23	882042-99 KEY, ALLEN, 5/64", BLACK	1