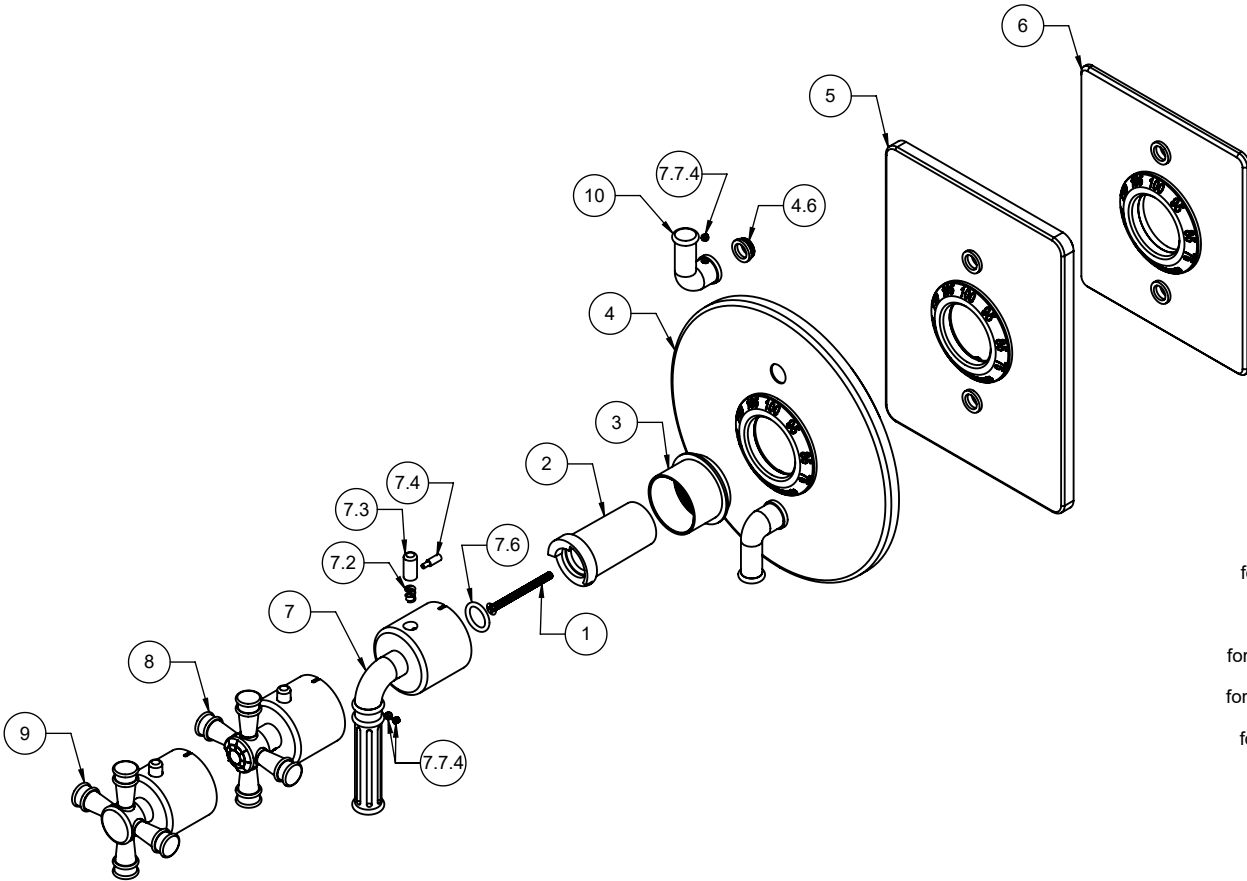


TO-TH2L-C1
 TO-TH2L-C1X
 TO-TH2L-C1XS
 TO-THC2L-C1
 TO-THC2L-C1X
 TO-THC2L-C1XS
 TO-THQ2L-C1
 TO-THQ2L-C1X
 TO-THQ2L-C1XS



To order spare parts add and/or replace as stated below:

SPD- prefix added to part number(s)
-ZZ replaced with finish code (see finish table)
-WW replaced with **-90** (light finish) or **-96** (dark finish)

Ex: **SPD-7-100362-PC** or **SPD-86030-96**

ITEM	PART NO.	DESCRIPTION	QTY.	
1	86255-90	SCREW M4 X 0.7 X 50MM PH FLT HD SS	1	
2	10092-81	STOP, THERM TEMP, SHORT	1	
3	10090-ZZ	SLEEVE, THERMO MOUNTING	1	
for TO-TH2L	4	7-100042-ZZ	ASM, SHWRPLATE, CONT RD, THERM W/2VC <i>(incl. 4.6)</i>	1
	4.6	223467-99	NYLON BUSHING FOR PBS FACEPLATE	2
for TO-THC2L	5	7-100048-ZZ	ASM, SHOWERPLATE, CONT SQ. THERM W/ 2 VC	1
for TO-THQ2L	6	7-100455-ZZ	ASM, SHWRPLATE, CONT FLAT, THERM W/2 VC	1
for C1 series	7	TH-H-C1-ZZ	THERM HANDLE KIT <i>(incl. 7.2, 7.3, 7.4, 7.6, 7.7.4)</i>	1
	7.2	10098-99	SPRING, Ø.24 X .312 LG, 1.4 LB/IN	1
	7.3	10093-81	BUTTON, BLACK THERM	1
	7.4	10062-98	PIN, THERMO BONNET	1
	7.6	87222-80	O-RING Ø13.94 X 2.62 (-113) EPDM A70 (NSF61-12 & WRAS)	1
	7.7.4	86030-WW	SETScrew 8-32 X 1/8 SCKT HD CUP PT SS	2
for C1X series	8	TH-H-C1X-ZZ	THERM HANDLE KIT <i>(incl. 7.2, 7.3, 7.4, 7.6, 7.7.4)</i>	1
for C1XS series	9	TH-H-C1XS-ZZ	THERM HANDLE KIT <i>(incl. 7.2, 7.3, 7.4, 7.6, 7.7.4)</i>	1
	10	7-100450-ZZ	ASM, THERM VC - C1 <i>(incl. 7.7.4)</i>	2
for ITEM 7.7.4	11	882042-99	KEY, ALLEN, 5/64", BLACK	1