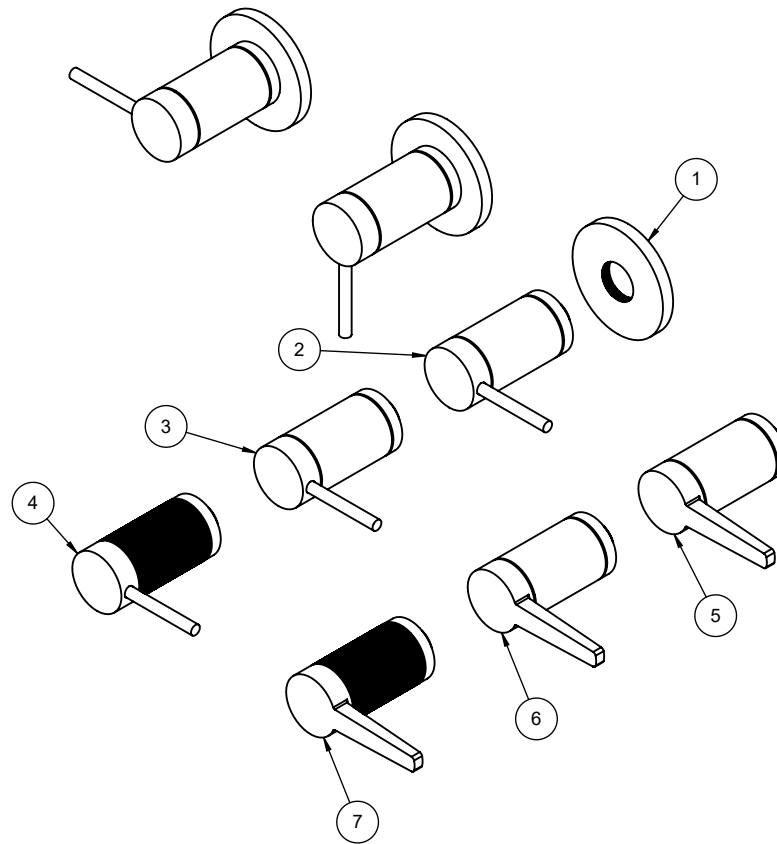


TO-53-W	TO-52-W
TO-53F-W	TO-52F-W
TO-53K-W	TO-52K-W
TO-5306L	TO-5206L
TO-5306FL	TO-5206FL
TO-5306KL	TO-5206KL
TO-5303L	TO-5203L
TO-5303FL	TO-5203FL
TO-5303KL	TO-5203KL



To order spare parts add and/or replace as stated below:

SPD- prefix added to part number(s)
-ZZ replaced with finish code (see finish table)
-WW replaced with **-90** (light finish) or **-96** (dark finish)

Ex: **SPD-7-100463-PC** or **SPD-86030-96**

ITEM	PART NO.	DESCRIPTION	QTY
1	11089-ZZ	ESCUTCHEON, RD Ø2" W/ M18 X 1.0	3
for 52 Series	2	7-100371-ZZ ASM, STICK LEV HDL W/SMOOTH CYL	3
for 52F Series	3	7-100372-ZZ ASM, STICK LEV HDL W/CARBON FIBER CYL	3
for 52K Series	4	7-100422-ZZ ASM, STICK LEV HDL W/KNURLED CYL	3
for 53 Series	5	7-100478-ZZ ASM, TANG LEV HDL W/SMOOTH CYL	3
for 53F Series	6	7-100479-ZZ ASM, TANG LEV HDL W/CARBON FIBER CYL	3
for 53K Series	7	7-100480-ZZ ASM, TANG LEV HDL W/KNURLED CYL	3