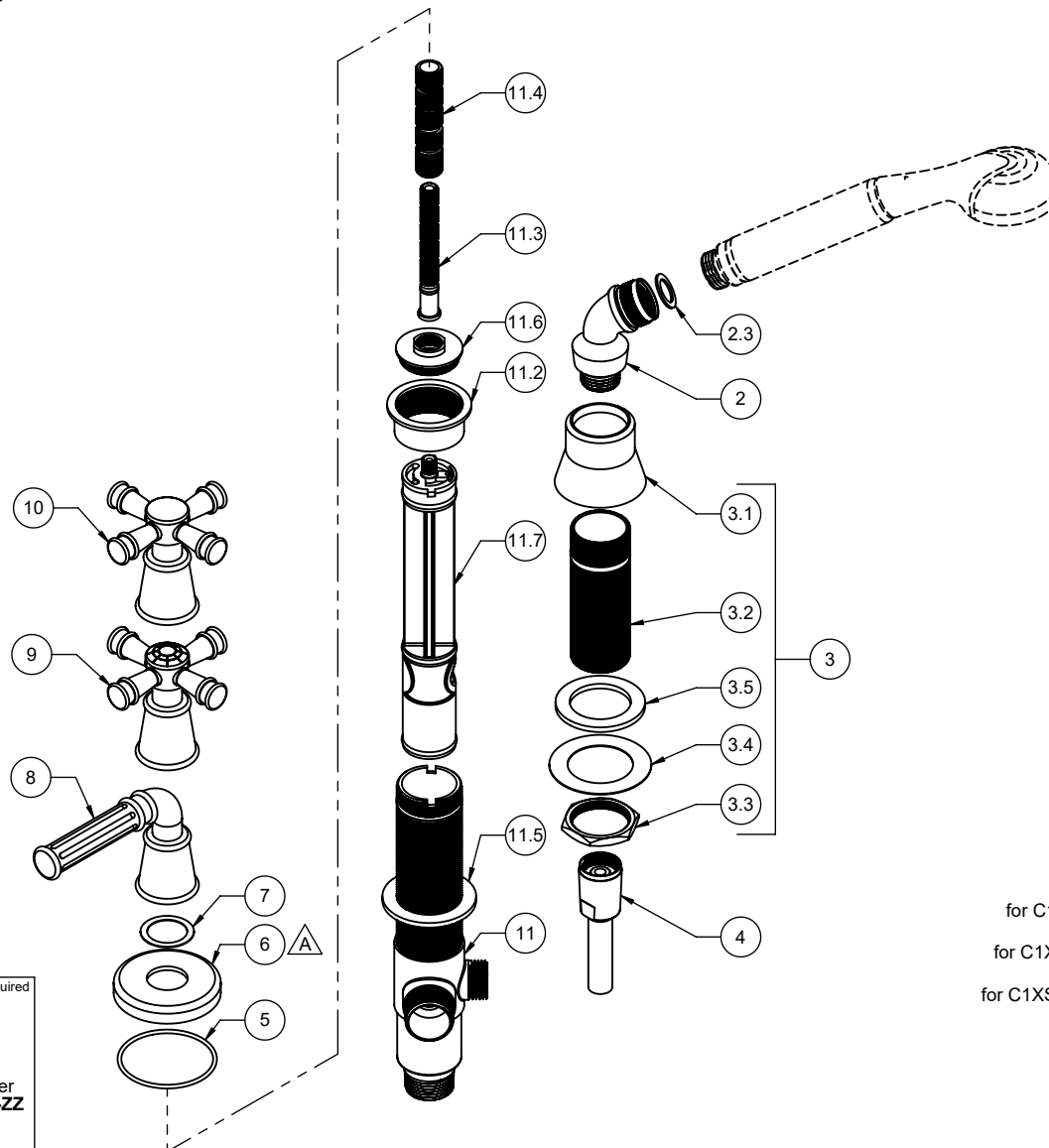


C1.15S.FR
C1X.15S.FR
C1XS.15S.FR

REQUIRES ITEM 5



To order spare parts add and/or replace as stated below:

SPD- prefix added to part number(s)
-ZZ replaced with finish code (see finish table)
-WW replaced with **-90** (light finish) or **-96** (dark finish)

Ex: **SPD-7-100278-PC** or **SPD-86030-96**

ITEM	PART NO.	DESCRIPTION	QTY.
2	7-913263-ZZ	KIT, ELBOW TO HS-15 <i>(incl. 2.3)</i>	1
2.3	911492-99	WASHER, TO HS-17 NIPPLE/ELBOW, FIBER	1
3	7-883262-ZZ	KIT, SHANK TO HS-15 <i>(incl. 3.1, 3.2, 3.3, 3.4, 3.5)</i>	1
3.1	881430-ZZ	ESCUTCHEON, HS-16, DECK	1
3.2	881115-99	SHANK, HS-16, DECK ESCUTCHEON	1
3.3	881149-99	NUT, HS-16, DECK ESCUTCHEON	1
3.4	881173-99	WASHER, STEEL, HS-16, DECK ESCUTCHEON	1
3.5	881372-99	WASHER, HS-16, DECK ESCUTCHEON, RUBBER	1
4	880225-99	HOSE, 84"X 1/2"NPS(F) CONICAL X 1/2"NPS(F) HEX, BLK POLY-BRAIDED	1
5	87263-80	O-RING Ø49.00 X 2.00 (NA) BUNA-N A70	1
6	10990-ZZ	RING, Ø22.0MM ID BASE, R3.0MM	1
7	87191-81	WSHR Ø21.46 X Ø28.58 X 0.508MM UHMW	1
for C1 series	8	7-100416-ZZ ASM, C1 THREADED LEVER HDL	1
for C1X series	9	7-100418-ZZ ASM, C1 THREADED X-HDL	1
for C1XS series	10	7-100537-ZZ ASM, C1 THREADED X-HDL - SMOOTH	1
11	883487-99	DECK DIV-VALVE, ROUGH <i>(incl. 11.2, 11.3, 11.4, 11.5, 11.6, 11.7)</i>	1
11.2	880593-98	COUPLING, 1-3/8"-18	1
11.3	881287-99	STEM, WDV, EXTENSION	1
11.4	881289-99	ALL THREAD WDV EXT	1
11.5	880595-98	VALVE NUT, 1-3/8"-18	1
11.6	880594-98	CART NUT, 1-3/8"-18	1
11.7	883581-99	CARTRIDGE TO DDV	1

