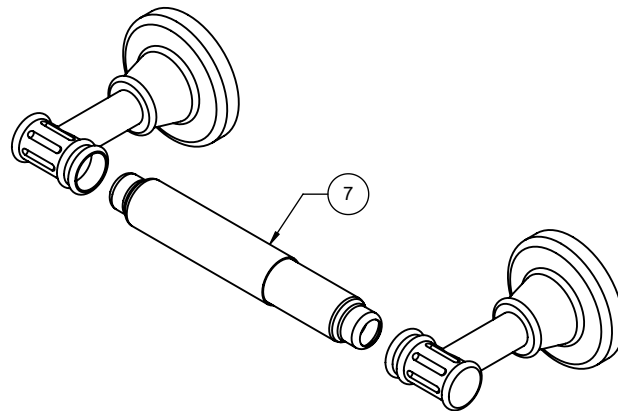
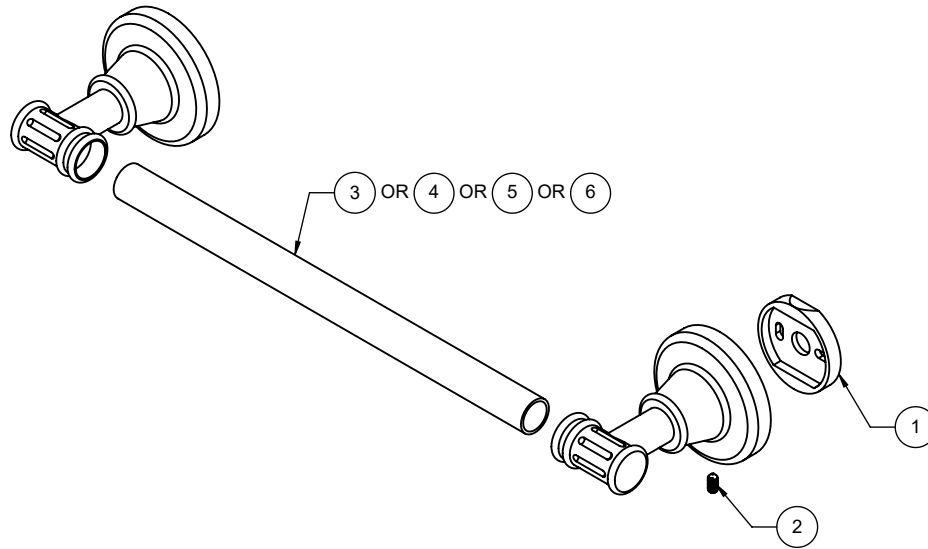


C1-9  
C1-18  
C1-24  
C1-30  
C1-TP



To order spare parts add and/or replace as stated below:

**SPD-** prefix added to part number(s)

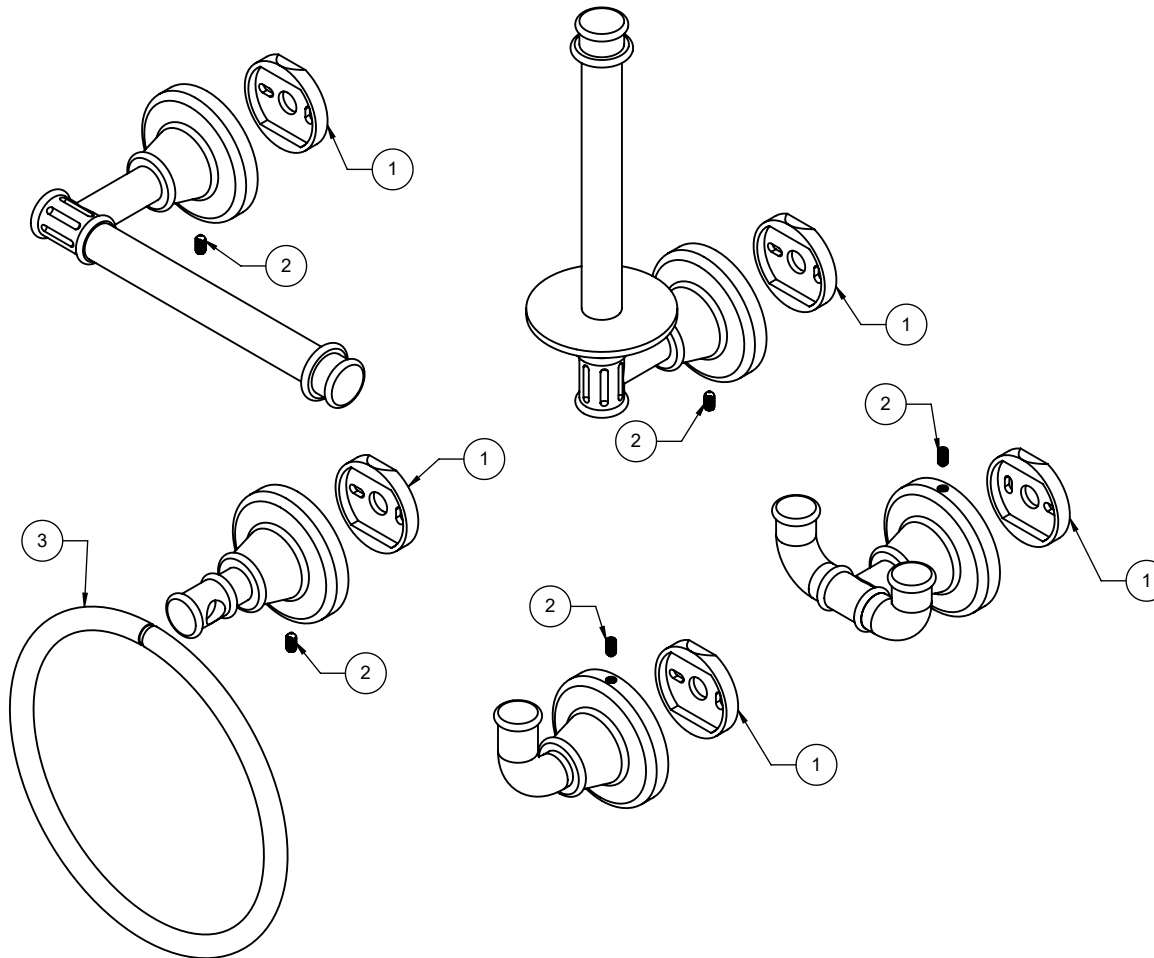
**-ZZ** replaced with finish code (see finish table)

**-WW** replaced with **-90** (light finish) or **-96** (dark finish)

Ex: **SPD-7-100362-PC** or **SPD-86030-96**

ITEM	PART NO.	DESCRIPTION	QTY.	
1	880443-97	WALL MOUNT, Ø40MM W/2 BEVELS, ACC	2	
2	86138-WW	SETSCREW M4 X 0.7 X 8.0MM SCKT HD CONE PT SS	2	
for C1-9	3	880415-ZZ	BAR ONLY, TOWEL, 9"	1
for C1-18	4	881187-ZZ	BAR ONLY, TOWEL, 18"	1
for C1-24	5	881188-ZZ	BAR ONLY, TOWEL, 24"	1
for C1-30	6	881357-ZZ	BAR ONLY, TOWEL, 30"	1
for C1-TP	7	7-100127-ZZ	ASM, TISSUE ROLLER	1
	8	882811-99	SCREW, FLAT HEAD, PHILLIPS SHEET METAL, 8 X 1-1/2" FOR ACCESS	4
	9	86154-81	ANCHOR, TOGGLE, 3/8"-1/2" WALL	4
for ITEM 2	10	880003-92	KEY, ALLEN, 2MM	1

C1-TR  
C1-RH  
C1-DRH  
C1-STP  
C1-VTP



To order spare parts add and/or replace as stated below:

**SPD-** prefix added to part number(s)

**-ZZ** replaced with finish code (see finish table)

**-WW** replaced with **-90** (light finish) or **-96** (dark finish)

Ex: **SPD-7-100362-PC** or **SPD-86030-96**

ITEM	PART NO.	DESCRIPTION	QTY.	
1	880443-97	WALL MOUNT, Ø40MM W/2 BEVELS, ACC	1	
2	86138-WW	SETSCREW M4 X 0.7 X 8.0MM SCKT HD CONE PT SS	1	
for C1-TR	3	881358-ZZ	RING, TOWEL	1
	4	882811-99	SCREW, FLAT HEAD, PHILLIPS SHEET METAL, 8 X 1-1/2" FOR ACCESS	2
	5	86154-81	ANCHOR, TOGGLE, 3/8"-1/2" WALL	2
for ITEM 2	6	880003-92	KEY, ALLEN, 2MM	1