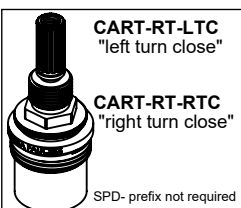
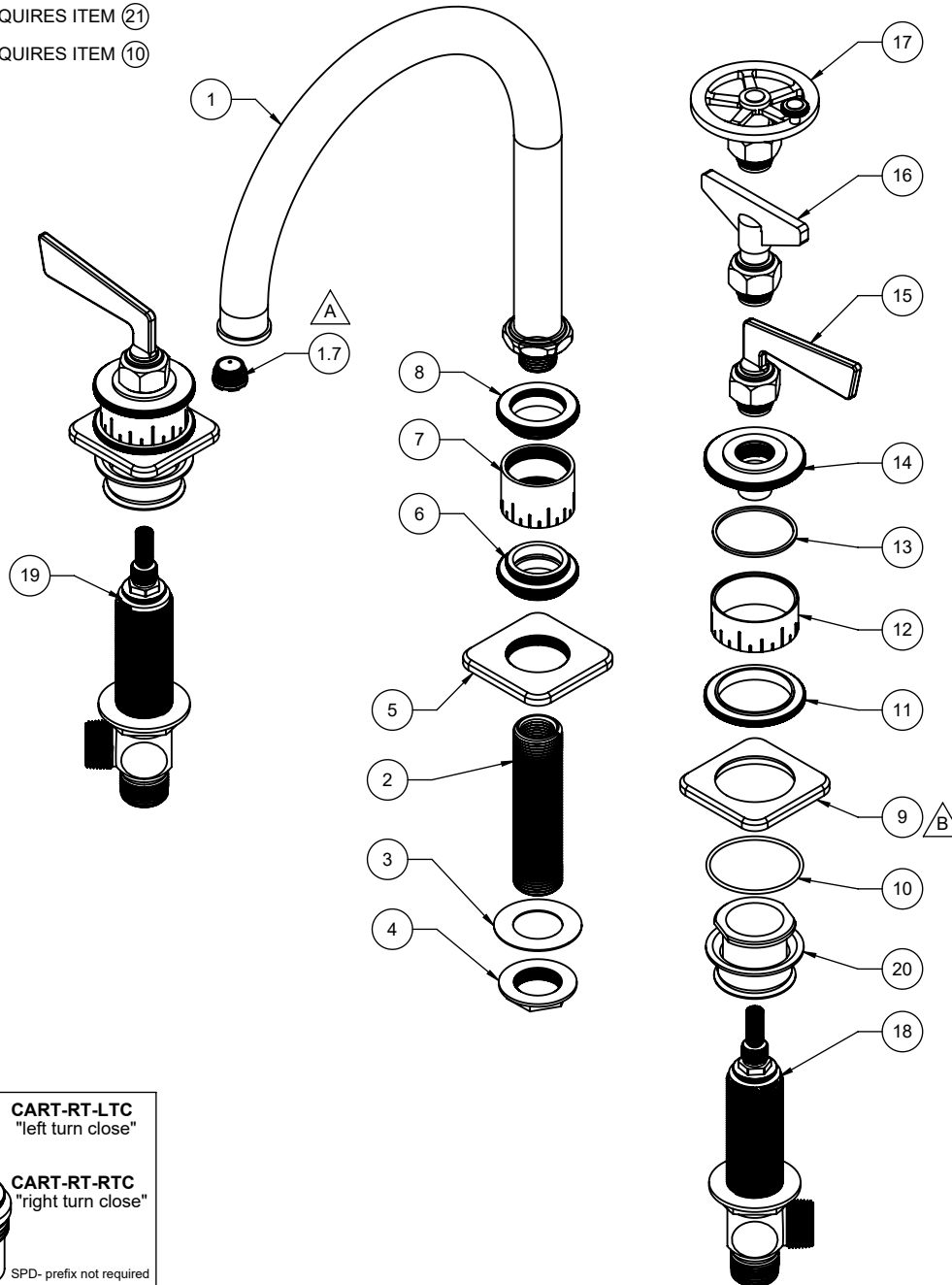


8608  
8608B  
8608W

△ REQUIRES ITEM (21)  
△ REQUIRES ITEM (10)



To order spare parts add and/or replace as stated below:

**SPD-** prefix added to part number(s)  
**-ZZ** replaced with finish code (see finish table)  
**-WW** replaced with **-90** (light finish) or **-96** (dark finish)

Ex: **SPD-7-100463-PC** or **SPD-86030-96**

ITEM	PART NO	DESCRIPTION	QTY.
1	7-100339-ZZ	ASM, INDUST RT CANE SPOUT (incl. 1.7)	1
1.7	880403-81	INSERT, FULL FLOW, TJ AERATED (CACHE)	1
2	880392-98	NIPPLE, 3/4 NPT/NPSM X 4-1/8" X 3/4" SWEAT	1
3	881253-99	WSHR 1"-20 SHANK - SS	1
4	882805-99	FLANGE NUT, 3/4"-14 NPSM X 1.68 OD X .30 HT	1
5	10814-ZZ	RING, SQ ROUNDED SPOUT BASE	1
6	10815-ZZ	COIN, SPOUT BASE BOTTOM	1
7	10816-ZZ	BASE, SPOUT W/ HASH	1
8	10817-ZZ	COIN, SPOUT BASE TOP	1
9	10820-ZZ	RING, SQ ROUNDED BASE	2
10	87263-80	O-RING Ø49.00 X 2.00 (NA) BUNA-N A70	2
11	10821-ZZ	COIN, ESCUTCHEON BOTTOM	2
12	10822-ZZ	ESCUTCHEON, HASHED	2
13	87254-81	WSHR Ø42.16" X Ø45.87 X 1.57MM ACETAL	2
14	10823-ZZ	COIN, ESCUTCHEON TOP	2
15	7-100322-ZZ	ASM, FLAG INDUSTRIAL LEVER	2
16	7-100324-ZZ	ASM, KEY INDUSTRIAL LEVER	2
17	7-100323-ZZ	ASM, WHEEL INDUSTRIAL LEVER	2
18	6-200081	ASM, COLD-RT BODY, CART & NUT (LTC) (incl. CART-RT-LTC)	1
19	6-200082	ASM, HOT-RT BODY, CART & NUT (RTC) (incl. CART-RT-RTC)	1
20	6-200297	KIT, RT INV NUT - 2 SETS (1 SET - 6-200297-1)	1
21	223472-99	KEY, TT CACHE AERATOR INSERT	1

for 85 Series  
for 85B Series  
for 85W Series