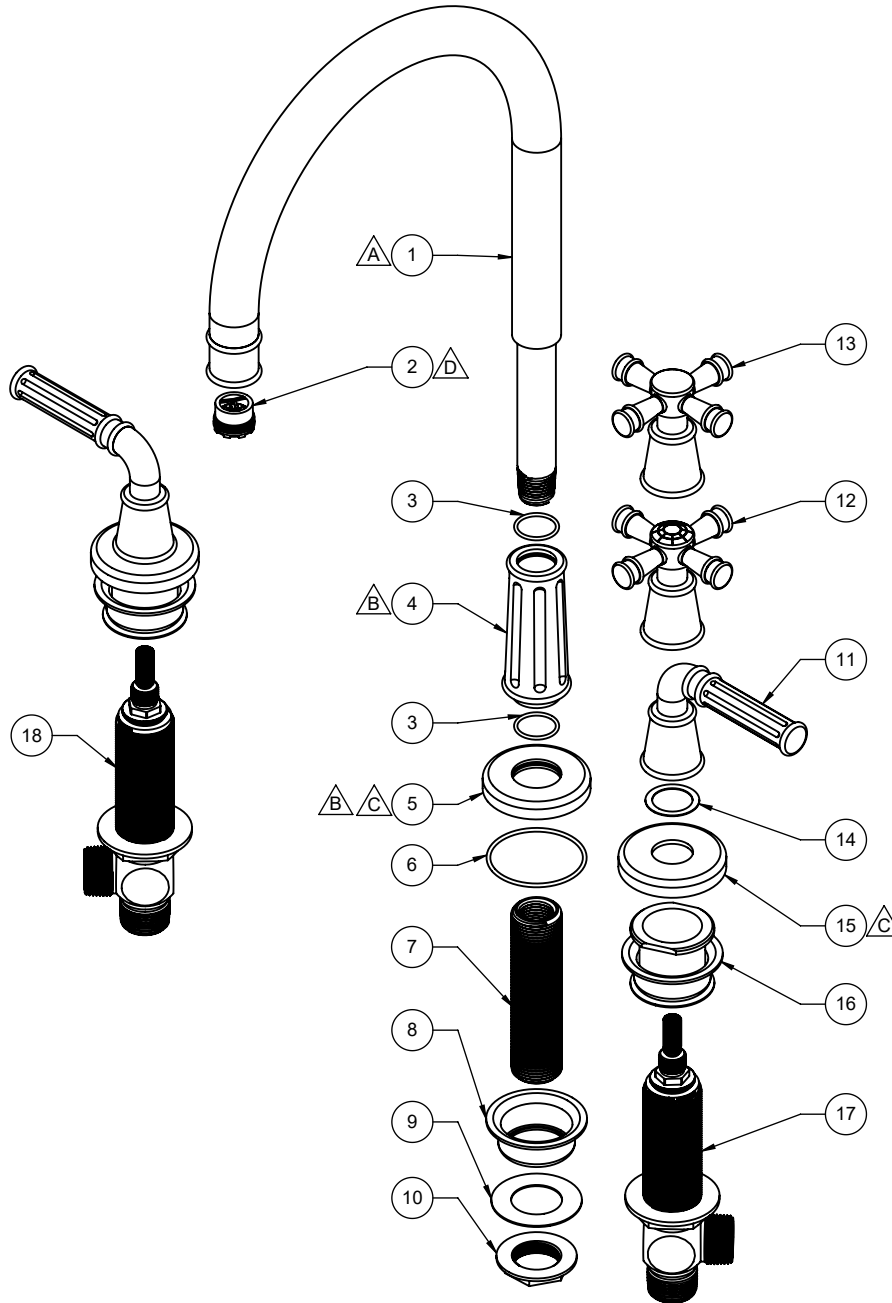


**C108**  
**C108X**  
**C108XS**

- △ REQUIRES ITEM 2
- △ REQUIRES ITEM 3
- △ REQUIRES ITEM 6
- △ REQUIRES ITEM 19



To order spare parts add and/or replace as stated below:

**SPD-** prefix added to part number(s)  
**-ZZ** replaced with finish code (see finish table)  
**-WW** replaced with **-90** (light finish) or **-96** (dark finish)

Ex: **SPD-7-100363-PC** or **SPD-86030-96**

ITEM	PART NO.	DESCRIPTION	QTY.
1	7-100363-ZZ	ASM, RT SPOUT, C1 FLUTED	1
2	880254-81	INSERT, JUNIOR NEOSTRAHL FULL FLOW - CACHE	1
3	87233-80	O-RING Ø20.35 X 1.78 (-019) NBR A70 (NSF61-12 & WRAS)	2
4	11011-ZZ	SPOUT BASE, Ø21.08 MM (.83") ID THRU, FLUTED	1
5	11009-ZZ	RING, Ø26.4MM ID BASE W/ ID GROOVE, R3.0MM	1
6	87263-80	O-RING Ø49.00 X 2.00 (NA) BUNA-N A70	3
7	880392-98	NIPPLE, 3/4 NPT/NPSM X 4-1/8" X 3/4" SWEAT	1
8	223469-99	CUP SPACER, STEEL, DIE CHROME, R/T, 22 SERIES	1
9	881253-99	WSHR 1"-20 SHANK - SS	1
10	882805-99	FLANGE NUT, 3/4"-14 NPSM X 1.68 OD X .30 HT	1
for C1 series	11	7-100416-ZZ ASM, C1 THREADED LEVER	2
for C1X series	12	7-100418-ZZ ASM, C1 THREADED X-HDL	2
for C1XS series	13	7-100537-ZZ ASM, C1 THREADED X-HDL - SMOOTH	2
14	87191-81	WSHR Ø21.46 X Ø28.58 X 0.508MM UHMW	2
15	10990-ZZ	RING, Ø22.0MM ID BASE, R3.0MM	2
16	6-200297	KIT, RT INV NUT - 2 SETS (1 SET = 6-200297-1)	1
17	6-200081	ASM, COLD-RT BODY, CART WSHR & NUTS (incl. CART-RT-LTC)	1
18	6-200082	ASM, HOT-RT BODY, CART WSHR & NUTS (incl. CART-RT-RTC)	1
19	880255-81	KEY, JR AERATED CACHE	1

