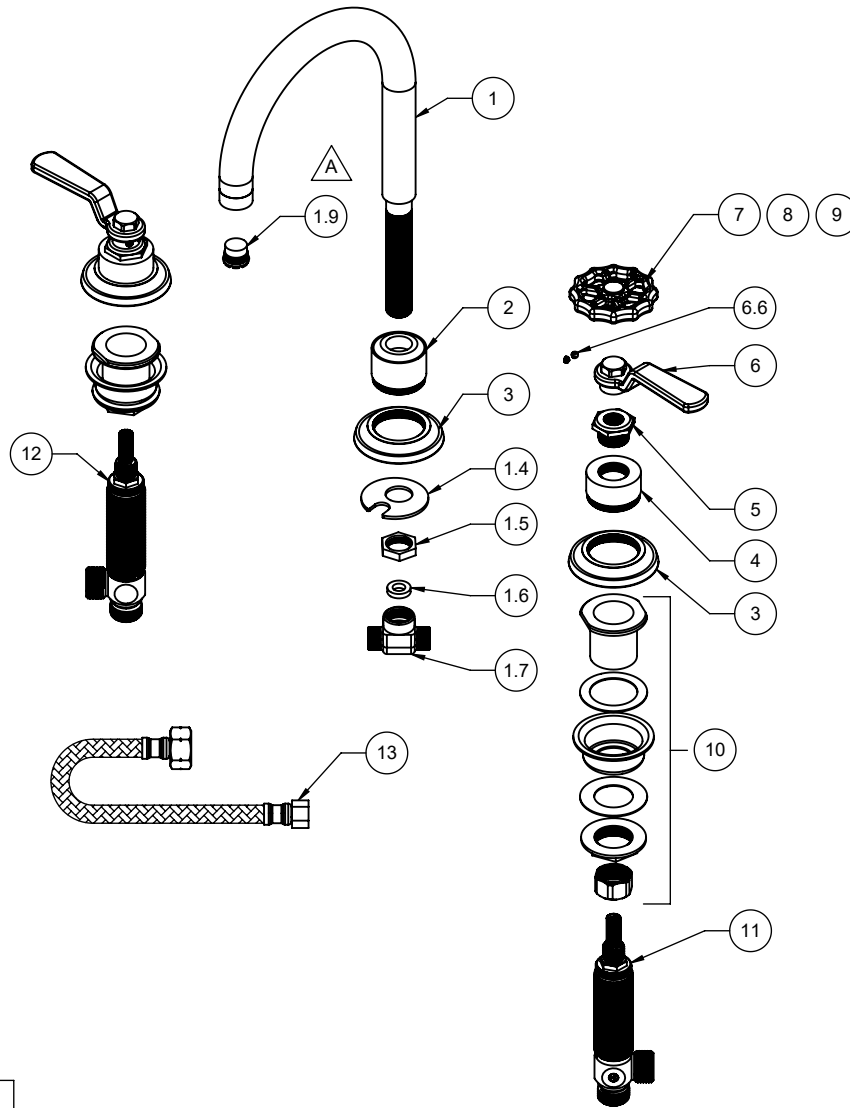


8102
8102W
8102WB
8102WR

△ REQUIRES ITEM 15



To order spare parts add and/or replace as stated below:

SPD- prefix added to part number(s)
-ZZ replaced with finish code (see finish table)
-WW replaced with -90 (light finish) or -96 (dark finish)

Ex: SPD-7-100463-PC or SPD-86030-96

| ITEM | PART NO | DESCRIPTION | QTY. |
|-----------------|-------------|---|------|
| 1 | 7-100308-ZZ | ASM, LAV SPOUT, CANE, SMOOTH <i>(incl. 1.4, 1.5, 1.6, 1.7, 1.9)</i> | 1 |
| 1.4 | 881766-99 | WSHR HORSESHOE | 1 |
| 1.5 | 881276-99 | NUT, HEX 3/8"-18 NPSM X .20 HT | 1 |
| 1.6 | 87162-80 | WSHR Ø8.5 X Ø15.5 X 3.5MM EPDM A70 (NSF-61-12 & WRAS) | 1 |
| 1.7 | 880083-90 | TEE, 3-WAY LAV - SS | 1 |
| 1.9 | 880356-81 | INSERT, 1.2 GPM, TT LAMINAR (CACHE) | 1 |
| 2 | 10749-ZZ | BASE, LAV SPT, W/THRU-HOLE | 1 |
| 3 | 10363-ZZ | RING, BASE, TRAD | 3 |
| 4 | 10751-ZZ | ESCUTCHEON, SCALLOPED | 2 |
| 5 | 10760-ZZ | NUT, SCALLOPED ESCUTCHEON | 2 |
| for 81 Series | 6 | 7-100536-ZZ ASM, BALL LEVER HDL <i>(incl. 6.6)</i> | 2 |
| | 6.6 | 86170-WW SETSCREW 8-32 X 1/8" SCKT CONE PT SS | 2 |
| for 81W Series | 7 | 7-100465-ZZ ASM, SPOKED WHEEL <i>(incl. 6.6)</i> | 2 |
| for 81WB Series | 8 | 7-100465B-ZZ ASM, SPOKED WHEEL - BLACK <i>(incl. 6.6)</i> | 2 |
| for 81WR Series | 9 | 7-100465R-ZZ ASM, SPOKED WHEEL - RED <i>(incl. 6.6)</i> | 2 |
| | 10 | 6-200294 KIT, W/S INV NUT - 2 SETS (1 SET - 6-200294-1) | 1 |
| | 11 | 6-200087 ASM, COLD-LAV "NL" BODY & CART (.25 Pb)-G4 <i>(incl. CART-WS-LTC)</i> | 1 |
| | 12 | 6-200088 ASM, HOT-LAV "NL" BODY, CART (.25 Pb)-G4 <i>(incl. CART-WS-RTC)</i> | 1 |
| | 13 | 880099-99 HOSE, POLY BRAIDED, 1/2 IPS X 3/8 CMP X 12 (DN6-SILICONE) (NL, NSF-61-12 & WRAS) | 2 |
| for ITEM 6.6 | 14 | 882042-99 KEY, ALLEN, 5/64", BLACK | 1 |
| | 15 | 223472-99 KEY, TT CACHE AERATOR INSERT | 1 |

