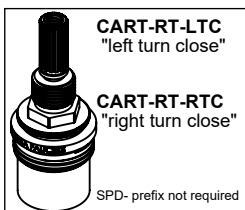
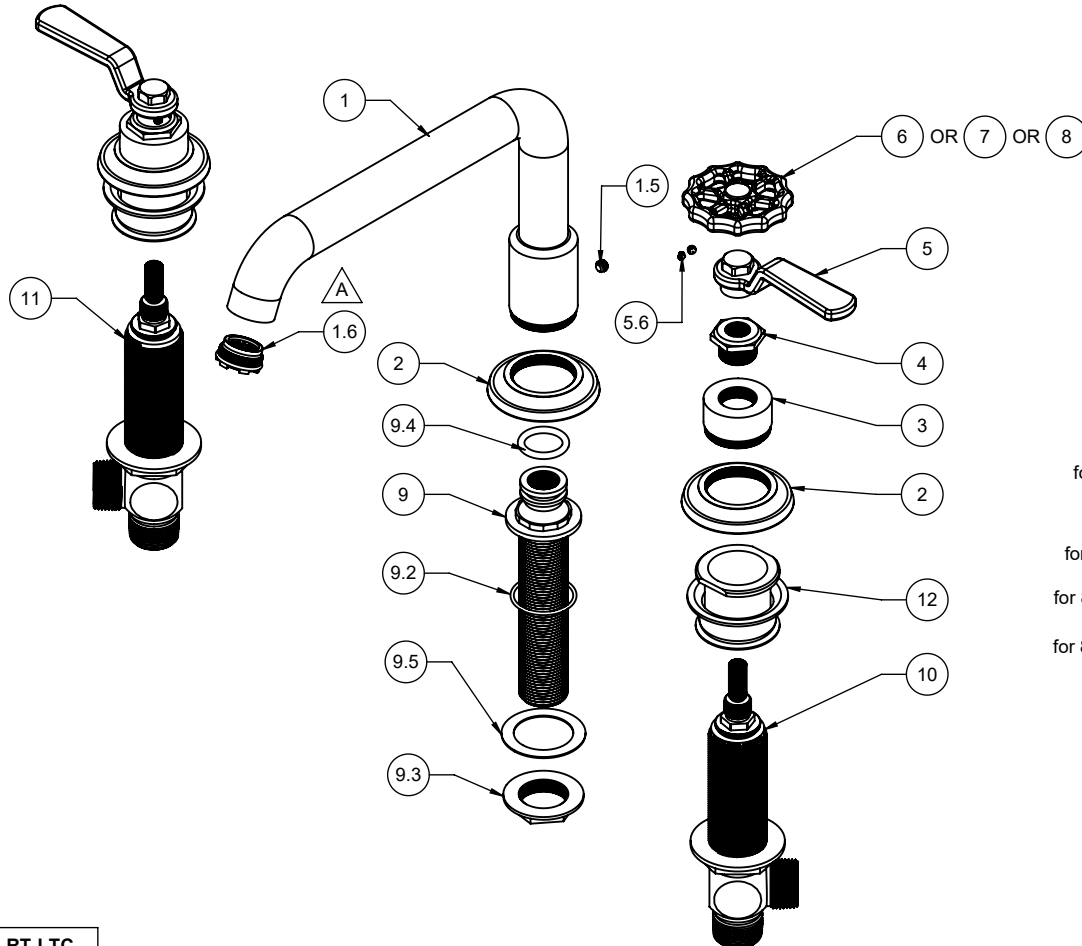


8008
8008W
8008WB
8008WR

△ REQUIRES ITEM 14



To order spare parts add and/or replace as stated below:

SPD- prefix added to part number(s)
-ZZ replaced with finish code (see finish table)
-WW replaced with **-90** (light finish) or **-96** (dark finish)

Ex: **SPD-7-100463-PC** or **SPD-86030-96**

for 80 Series
 for 80W Series
 for 80WB Series
 for 80WR Series
 for ITEM 5.6

ITEM	PART NO	DESCRIPTION	QTY.
1	7-100268-ZZ	ASM, RT SPOUT, LOW SPOUT W/ ANGLED OUTLET - SMOOTH <i>(incl. 1.5, 1.6)</i>	1
1.5	86034-WW	SETSCREW 1/4-20 X 3/16 SCKT HD CUP PT SS	1
1.6	880249-81	INSERT, STD, NEOSTRAHL FULL FLOW - CACHE	1
2	10363-ZZ	RING, BASE, TRAD	3
3	10751-ZZ	ESCUTCHEON, SCALLOPED	2
4	10760-ZZ	NUT, SCALLOPED ESCUTCHEON	2
5	7-100536-ZZ	ASM, BALL LEVER HDL <i>(incl. 5.6)</i>	2
5.6	86170-WW	SETSCREW 8-32 X 1/8" SCKT CONE PT SS	2
6	7-100465-ZZ	ASM, SPOKED WHEEL <i>(incl. 5.6)</i>	2
7	7-100465B-ZZ	ASM, SPOKED WHEEL - BLACK <i>(incl. 5.6)</i>	2
8	7-100465R-ZZ	ASM, SPOKED WHEEL - RED <i>(incl. 5.6)</i>	2
9	882206-98	QC-63 FOR RS-65 <i>(incl. 9.2, 9.3, 9.4, 9.5)</i>	1
9.2	87231-80	O-RING Ø31.47 X 1.78 (-026) EPDM A70 (NSF61-12 & WRAS)	1
9.3	882805-99	FLANGE NUT, 3/4"-14 NPSM X 1.68 OD X .30 HT	1
9.4	87337-80	O-RING Ø20.22 X 3.53 (-211) BUNA-N A70	1
9.5	87297-82	WASHER, FIBER, BLK Ø31.6 X Ø44.5 X 0.79MM	1
10	6-200081	ASM, COLD-RT BODY, CART & NUT (LTC) <i>(incl. CART-RT-LTC)</i>	1
11	6-200082	ASM, HOT-RT BODY, CART & NUT (RTC) <i>(incl. CART-RT-RTC)</i>	1
12	6-200297	KIT, RT INV NUT - 2 SETS (1 SET - 6-200297-1)	2
13	882042-99	KEY, ALLEN, 5/64", BLACK	1
14	223473-99	KEY, STD CACHE AERATOR INSERT	1