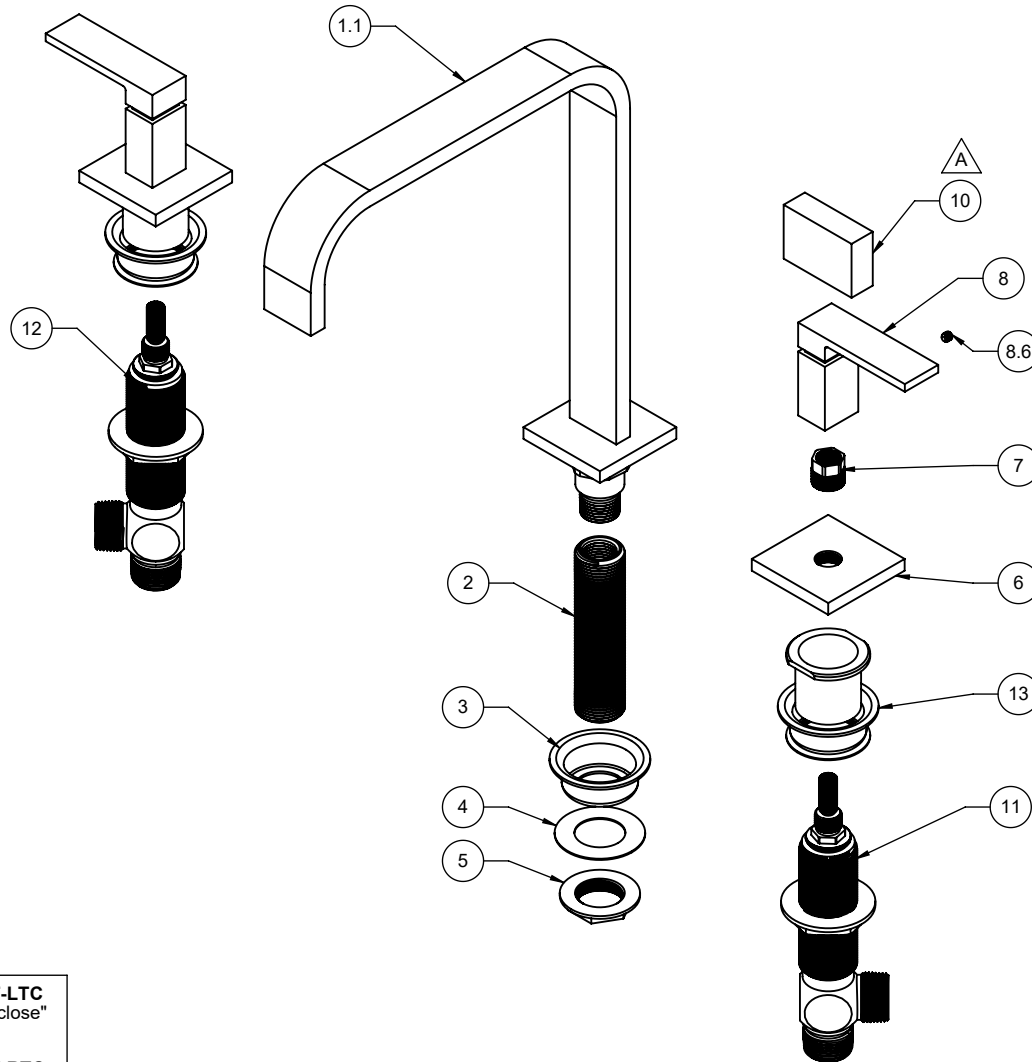


△ DOES NOT REQUIRE ⑦



To order spare parts add and/or replace as stated below:

SPD- prefix added to part number(s)
-ZZ replaced with finish code (see finish table)
-WW replaced with **-90** (light finish) or **-96** (dark finish)

Ex: **SPD-7-100463-PC** or **SPD-86030-96**

ITEM	PART NO	DESCRIPTION	QTY.
1.1	7-100005-ZZ	ASM, R/T SPOUT W/SQ BASE	1
2	880392-98	NIPPLE, 3/4 NPT/NPSM X 4-1/8" X 3/4" SWEAT	1
3	223468-99	CUP SPACER, STEEL, DIE CHROME, LAV, 22 SERIES	1
4	881253-99	WSHR 1"-20 SHANK - SS	1
5	882805-99	FLANGE NUT, 3/4"-14 NPSM X 1.68 OD X .30 HT	1
6	10457-ZZ	ESCUTCHEON, SQ	2
7	880371-15B	NUT, TIE-DOWN, BARREL Ni PLT - KNURLED	2
8	7-100216-ZZ	ASM, SQ. LVR, L-SHAPED <i>(incl. 8.6)</i>	2
8.6	86033-WW	SETSCREW 10-24 X 3/16 SCKT HD CUP PT SS	1
10	7-100252-ZZ	ASM, RECTANGULAR HANDLE <i>(incl. 8.6)</i>	2
11	6-200081	ASM, COLD-RT BODY, CART & NUT (LTC) <i>(incl. CART-RT-LTC)</i>	1
12	6-200082	ASM, HOT-RT BODY, CART & NUT (RTC) <i>(incl. CART-RT-RTC)</i>	1
13	6-200297	KIT, RT INV NUT - 2 SETS (1 SET - 6-200297-1)	2
14	882043-99	KEY, ALLEN, 3/32", BLACK	1

for ITEM 8.6

