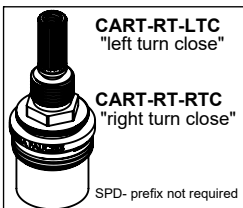
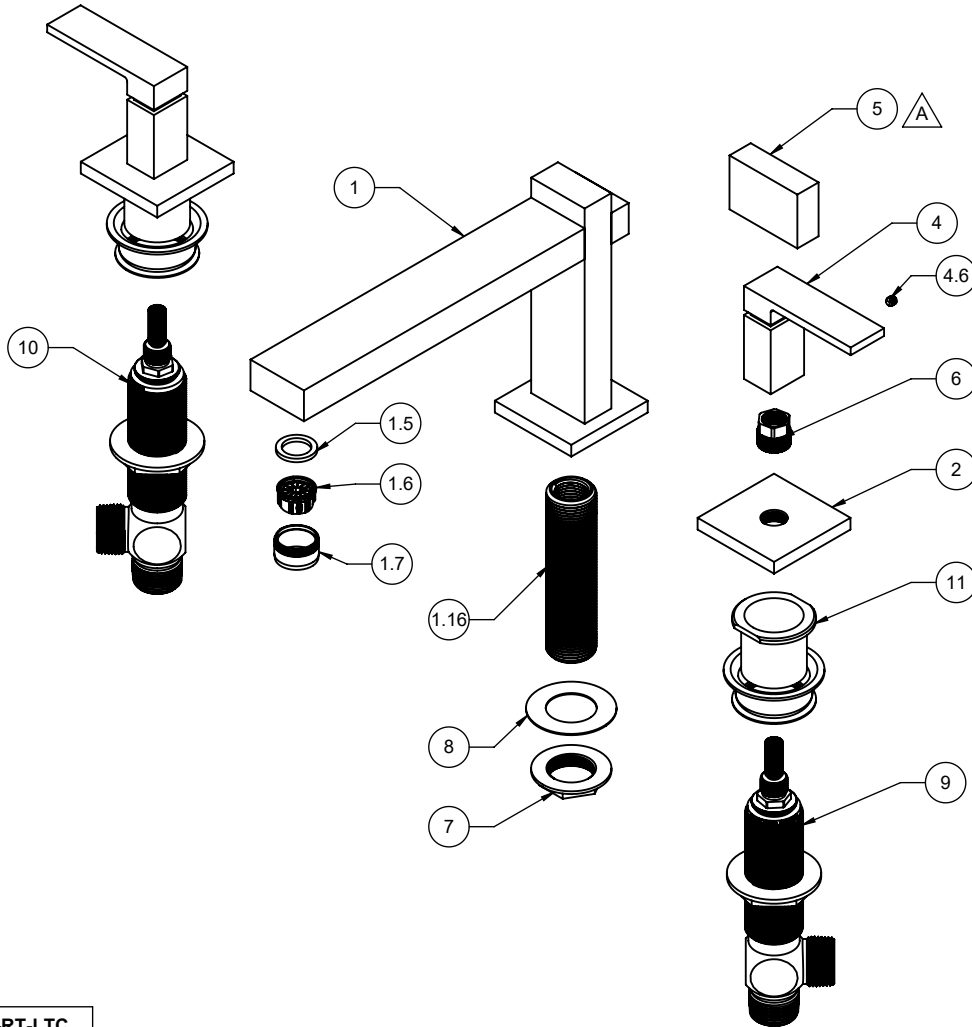


△ DOES NOT REQUIRE ③



To order spare parts add and/or replace as stated below:

SPD- prefix added to part number(s)
-ZZ replaced with finish code (see finish table)
-WW replaced with **-90** (light finish) or **-96** (dark finish)

Ex: **SPD-7-100463-PC** or **SPD-86030-96**

ITEM	PART NO	DESCRIPTION	QTY.
1	7-100225-ZZ	ASM, SQ. RT SPOUT (incl. 1.5, 1.6, 1.7, 1.16)	1
1.5	881829-99	WSHR AERATOR, .839 X .590 X .110 EPDM A70 (NSF 61)	1
1.6	880157-81	INSERT, STD NEOSTRAHL FULL FLOW	1
1.7	880168-ZZ	SHELL, STD 15/16"-27, MALE THD	1
1.16	880392-98	NIPPLE, 3/4 NPT/NPSM X 4-1/8" X 3/4" SWEAT	1
2	10457-ZZ	ESCUTCHEON, SQ	2
for 78 Series	4	7-100216-ZZ ASM, SQ. LVR, L-SHAPED (incl. 4.6)	2
	4.6	86033-WW SETSCREW 10-24 X 3/16 SCKT HD CUP PT SS	1
for 78R Series	5	7-100252-ZZ ASM, RECTANGULAR HANDLE (incl. 4.6)	2
	6	880371-15B NUT, TIE-DOWN, BARREL Ni PLT - KNURLED	2
	7	882805-99 FLANGE NUT, 3/4"-14 NPSM X 1.68 OD X .30 HT	1
	8	881253-99 WSHR 1"-20 SHANK - SS	1
	9	6-200081 ASM, COLD-RT BODY, CART & NUT (LTC) (incl. CART-RT-LTC)	1
	10	6-200082 ASM, HOT-RT BODY, CART & NUT (RTC) (incl. CART-RT-RTC)	1
	11	6-200297 KIT, RT INV NUT - 2 SETS (1 SET - 6-200297-1)	1
for ITEM 4.6	12	882043-99 KEY, ALLEN, 3/32", BLACK	1