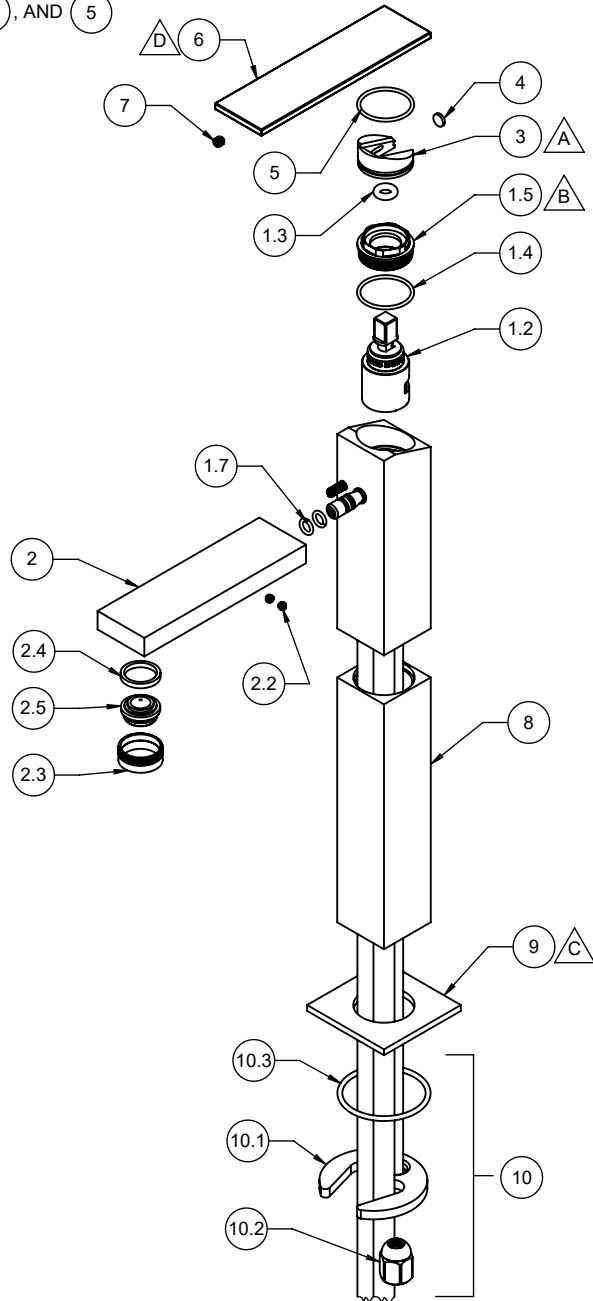


7701-1
7701-2

- △ A REQUIRES ITEM (1.3), (4), AND (5)
- △ B REQUIRES ITEM (1.4)
- △ C REQUIRES ITEM (10.3)
- △ D REQUIRES ITEM (7)



To order spare parts add and/or replace as stated below:

SPD- prefix added to part number(s)
-ZZ replaced with finish code (see finish table)
-WW replaced with **-90** (light finish) or **-96** (dark finish)

Ex: **SPD-7-100463-PC** or **SPD-86030-96**

ITEM	PART NO	DESCRIPTION	QTY.	
1.2	880377-99	CART 25MM, SNGL LVR FLOODING	1	
1.3	87207-80	O-RING Ø5.94 X 3.53 (-202) BUNA-N A70	1	
1.4	87161-80	O-RING Ø26.70 X 1.78 (-023) BUNA-N A70 (NSF-61-12 & WRAS)	1	
1.5	10651-98	NUT, SQUARE SINGLE HOLE PACKING "NL"	1	
1.7	87219-80	O-RING Ø6.07 X 1.78 (-010) EPDM A70 (NSF61-12 & WRAS)	2	
2	7-100250-ZZ	ASM, SPOUT, 77 LAV (incl. 2.2, 2.3, 2.4, 2.5)	1	
2.2	86030-WW	SETScrew 8-32 X 1/8 SCKT HD CUP PT SS	2	
2.3	10628-ZZ	SHELL, STD SHORTY AERATOR 15/16"-27 MALE	1	
2.4	87164-80	WSHR Ø.669" X Ø.846" X .110" EPDM A70 (NSF-61-12)	1	
2.5	880343-81	INSERT, 1.2 GPM, STD SHORTY AERATED - PINK (PCA)	1	
3	10648-ZZ	COVER, SQUARE SINGLE HOLE CART	1	
4	902749-99	DOTS, CUSHION, ADHESIVE, CLEAR	1	
5	87161-80	O-RING Ø26.70 X 1.78 (-023) BUNA-N A70 (NSF-61-12 & WRAS)	1	
6	10647-ZZ	LEVER, SQUARE SINGLE HOLE	1	
7	86033-WW	SETScrew 10-24 X 3/16 SCKT HD CUP PT SS	1	
for all -2	8	10675-ZZ	EXTENSION, SQUARE SINGLE HOLE	1
	9	10662-ZZ	BASE, SQUARE SINGLE HOLE	1
	10	6-200057-99	KIT, MOUNTING HDW, SNGL HOLE (incl. 10.1, 10.2, 10.3)	1
	10.1	880309-98	MOUNTING BRACKET, SINGLE HOLE CRESCENT	1
	10.2	10184-98	NUT, HEX W/ DOME	1
	10.3	622055-99	O-RING 44.12 X 2.62 (-132) BUNA-N A70	1
for ITEM 7	13	882043-99	KEY, ALLEN, 3/32", BLACK	1
for ITEM 2.2	14	882042-99	KEY, ALLEN, 5/64", BLACK	1