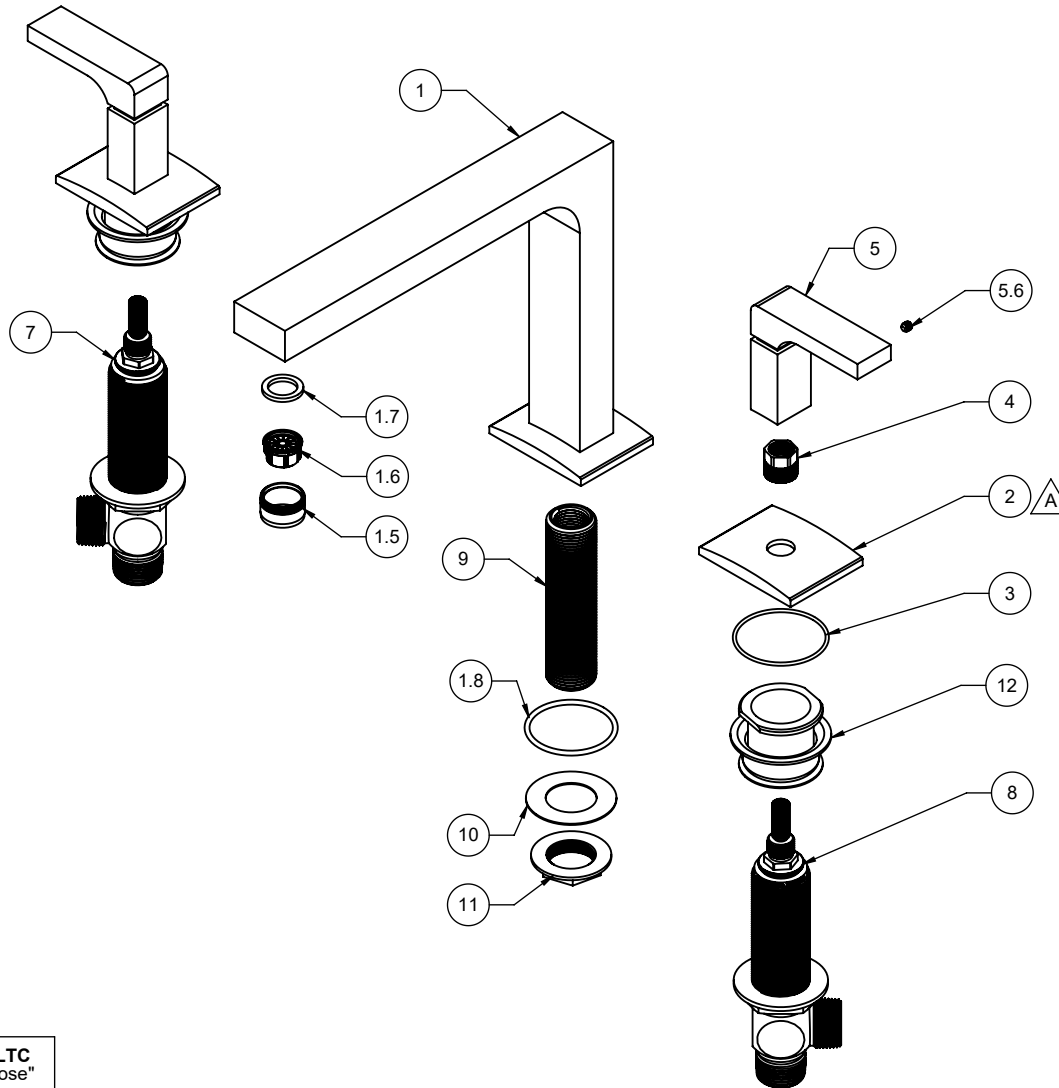


△ REQUIRES ITEM ③

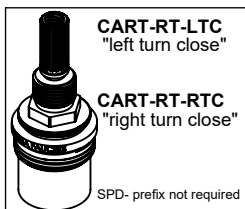


To order spare parts add and/or replace as stated below:

SPD- prefix added to part number(s)
-ZZ replaced with finish code (see finish table)
-WW replaced with **-90** (light finish) or **-96** (dark finish)

Ex: **SPD-7-100463-PC** or **SPD-86030-96**

ITEM	PART NO	DESCRIPTION	QTY.
1	7-100101-ZZ	ASM, R/T SPOUT, SQ. <i>(incl. 1.5, 1.6, 1.7, 1.8)</i>	1
1.5	882045-ZZ	AERATOR, HOUSING, 15/16"-27, MALE	1
1.6	880157-81	INSERT, STD NEOSTRAHL FULL FLOW	1
1.7	881829-99	WSHR AERATOR, .839 X .590 X .110 EPDM A70 (NSF 61)	1
1.8	622055-99	O-RING 44.12 X 2.62 (-132) BUNA-N A70	1
2	10467-ZZ	ESCUTCHEON, HANDLE	2
3	87124-80	O-RING Ø47.34 X 1.78(-032) BUNA-N A70	2
4	880371-15B	NUT, TIE-DOWN, BARREL Ni PLT - KNURLED	2
5	7-100098-ZZ	ASM, SQ. LVR & POST <i>(incl. 5.6)</i>	2
5.6	86033-WW	SETScrew 10-24 X 3/16 SCKT HD CUP PT SS	1
7	6-200082	ASM, HOT-RT BODY, CART & NUT (RTC) <i>(incl. CART-RT-RTC)</i>	1
8	6-200081	ASM, COLD-RT BODY, CART & NUT (LTC) <i>(incl. CART-RT-LTC)</i>	1
9	880392-98	NIPPLE, 3/4 NPT/NPSM X 4-1/8" X 3/4" SWEAT	1
10	881253-99	WSHR 1"-20 SHANK - SS	1
11	882805-99	FLANGE NUT, 3/4"-14 NPSM X 1.68 OD X .30 HT	1
12	6-200297	KIT, RT INV NUT - 2 SETS (1 SET - 6-200297-1)	1
14	882043-99	KEY, ALLEN, 3/32", BLACK	1



for ITEM 5.6