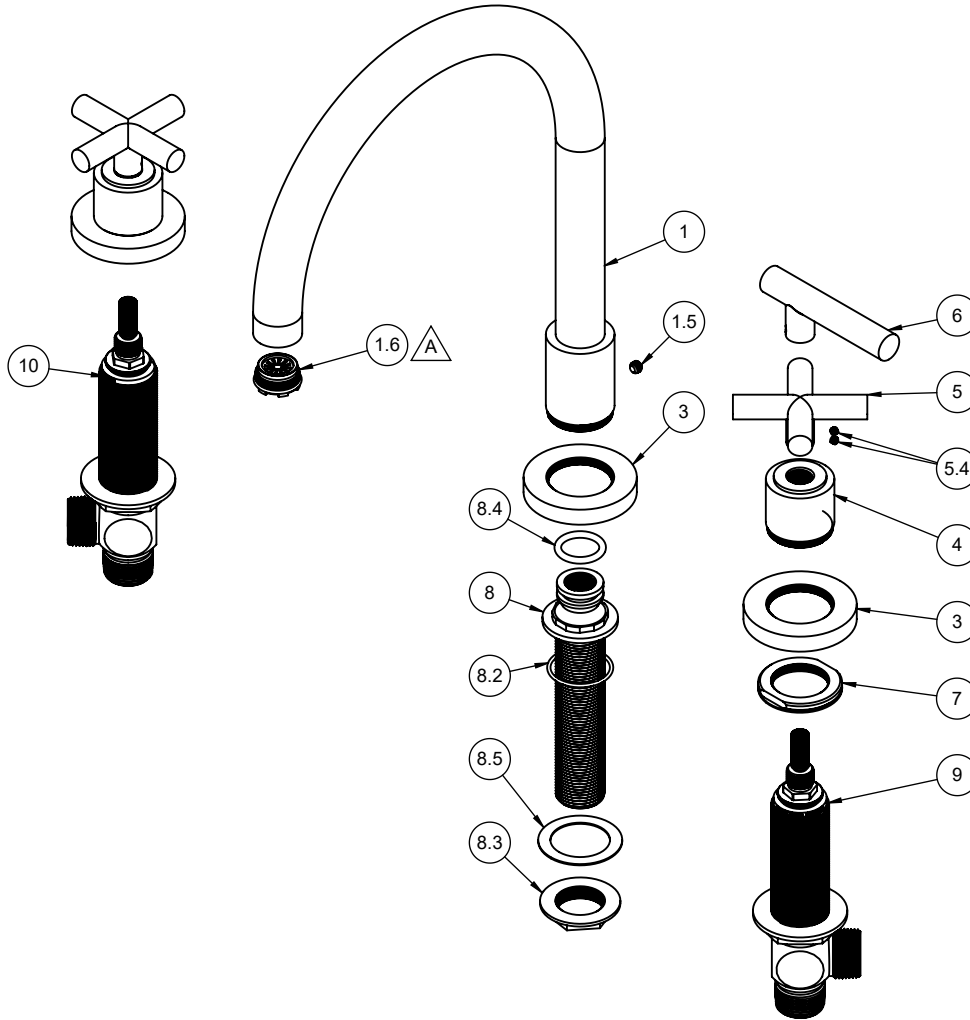


△ REQUIRES ITEM 2



To order spare parts add and/or replace as stated below:

SPD- prefix added to part number(s)
-ZZ replaced with finish code (see finish table)
-WW replaced with **-90** (light finish) or **-96** (dark finish)

Ex: **SPD-7-100463-PC** or **SPD-86030-96**

ITEM	PART NO.	DESCRIPTION	QTY	
1	7-653088-ZZ	KIT, R/T, 65 SERIES <i>(incl. 1.5, 1.6)</i>	1	
1.5	86034-WW	SETSCREW 1/4-20 X 3/16 SCKT HD CUP PT SS	1	
1.6	880249-81	INSERT, STD, NEOSTRAHL FULL FLOW - CACHE	1	
2	223473-99	KEY, STD CACHE AERATOR INSERT	1	
3	652119-ZZ	RING, ESC/LAV/RT, 65 & 66 SERIES, SMOOTH	3	
4	652120-ZZ	ESCUTCHEON, 65 & 66 SERIES	2	
for 65 Series	5	7-653143-ZZ	KIT, CTEMP CROSS HDL, 65 SERIES <i>(incl. 5.4)</i>	2
	5.4	86030-WW	SETSCREW 8-32 X 1/8 SCKT HD CUP PT SS	2
for 66 Series	6	7-663144-ZZ	KIT, CTEMP LEV HDL, 66 SERIES <i>(incl. 5.4)</i>	1
	7	6-200296	KIT, RT STD NUT - 2 SETS (1 SET - 6-200296-1)	1
	8	882206-98	QC-63 FOR RS-65 <i>(incl. 8.2, 8.3, 8.4, 8.5)</i>	1
	8.2	87231-80	O-RING Ø31.47 X 1.78 (-026) EPDM A70 (NSF61-12 & WRAS)	1
	8.3	882805-99	FLANGE NUT, 3/4"-14 NPSM X 1.68 OD X .30 HT	1
	8.4	87337-80	O-RING Ø20.22 X 3.53 (-211) BUNA-N A70	1
	8.5	87297-82	WASHER, FIBER, BLK Ø31.6 X Ø44.5 X 0.79MM	1
	9	6-200081	ASM, COLD-RT BODY, CART & NUT (LTC) <i>(incl. CART-RT-LTC)</i>	1
	10	6-200082	ASM, HOT-RT BODY, CART & NUT (RTC) <i>(incl. CART-RT-RTC)</i>	1
for ITEM 5.4	11	882042-99	KEY, ALLEN, 5/64", BLACK	1
for ITEM 1.5	12	882044-99	KEY, ALLEN, 1/8", BLACK	1

