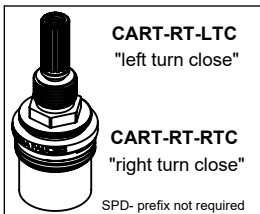
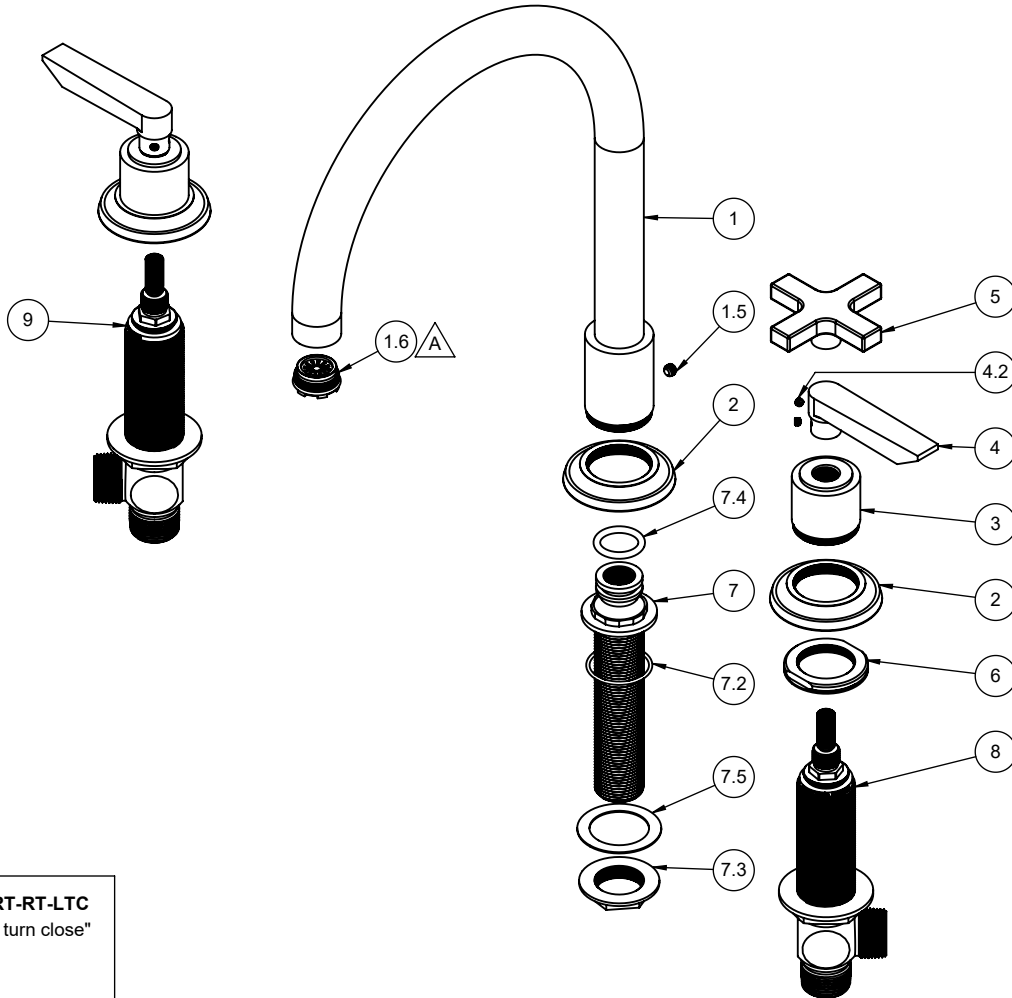


△ REQUIRES ITEM 12



To order spare parts add and/or replace as stated below:

SPD- prefix added to part number(s)
-ZZ replaced with finish code (see finish table)
-WW replaced with **-90** (light finish) or **-96** (dark finish)

Ex: **SPD-7-100463-PC** or **SPD-86030-96**

ITEM	PART NO.	DESCRIPTION	QTY	
7	7-653088-ZZ	KIT, R/T, 65 SERIES (incl. 1.5, 1.6)	1	
1.5	86034-WW	SETSCREW 1/4-20 X 3/16 SCKT HD CUP PT SS	1	
1.6	880249-81	INSERT, STD, NEOSTRAHL FULL FLOW - CACHE	1	
2	10363-ZZ	RING, BASE, TRAD	3	
3	652120-ZZ	ESCUTCHEON, 65 & 66 SERIES	2	
for 45 Series	4	7-100135-ZZ	ASM, LEVER HANDLE - ART DECO (incl. 4.2)	2
4.2	86030-WW	SETSCREW 8-32 X 1/8 SCKT HD CUP PT SS	2	
for 45X Series	5	7-100267-ZZ	ASM, SQ. CROSS HDL (incl. 4.2)	2
6	6-200296	KIT, RT STD NUT - 2 SETS (1 SET - 6-200296-1)	2	
7	882206-98	QC-63/65 FOR RS-65 & (RS-63 L/RING) (incl. 7.2, 7.3, 7.4, 7.5)	1	
7.2	87231-80	O-RING Ø31.47 X 1.78 (-026) EPDM A70 (NSF61-12 & WRAS)	1	
7.3	882805-99	FLANGE NUT, 3/4"-14 NPSM X 1.68 OD X .30 HT	1	
7.4	87337-80	O-RING Ø20.22 X 3.53 (-211) BUNA-N A70	1	
7.5	87297-82	WASHER, FIBER, BLK Ø31.6 X Ø44.5 X 0.79MM	1	
8	6-200081	ASM, COLD-RT BODY, CART & NUT (LTC) (incl. CART-RT-LTC)	1	
9	6-200082	ASM, HOT-RT BODY, CART & NUT (RTC) (incl. CART-RT-RTC)	1	
for ITEM 4.2	10	882042-99	KEY, ALLEN, 5/64", BLACK	1
for ITEM 1.5	11	882044-99	KEY, ALLEN, 1/8", BLACK	1
	12	223473-99	KEY, STD CACHE AERATOR INSERT	1