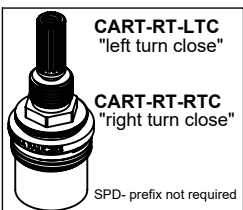
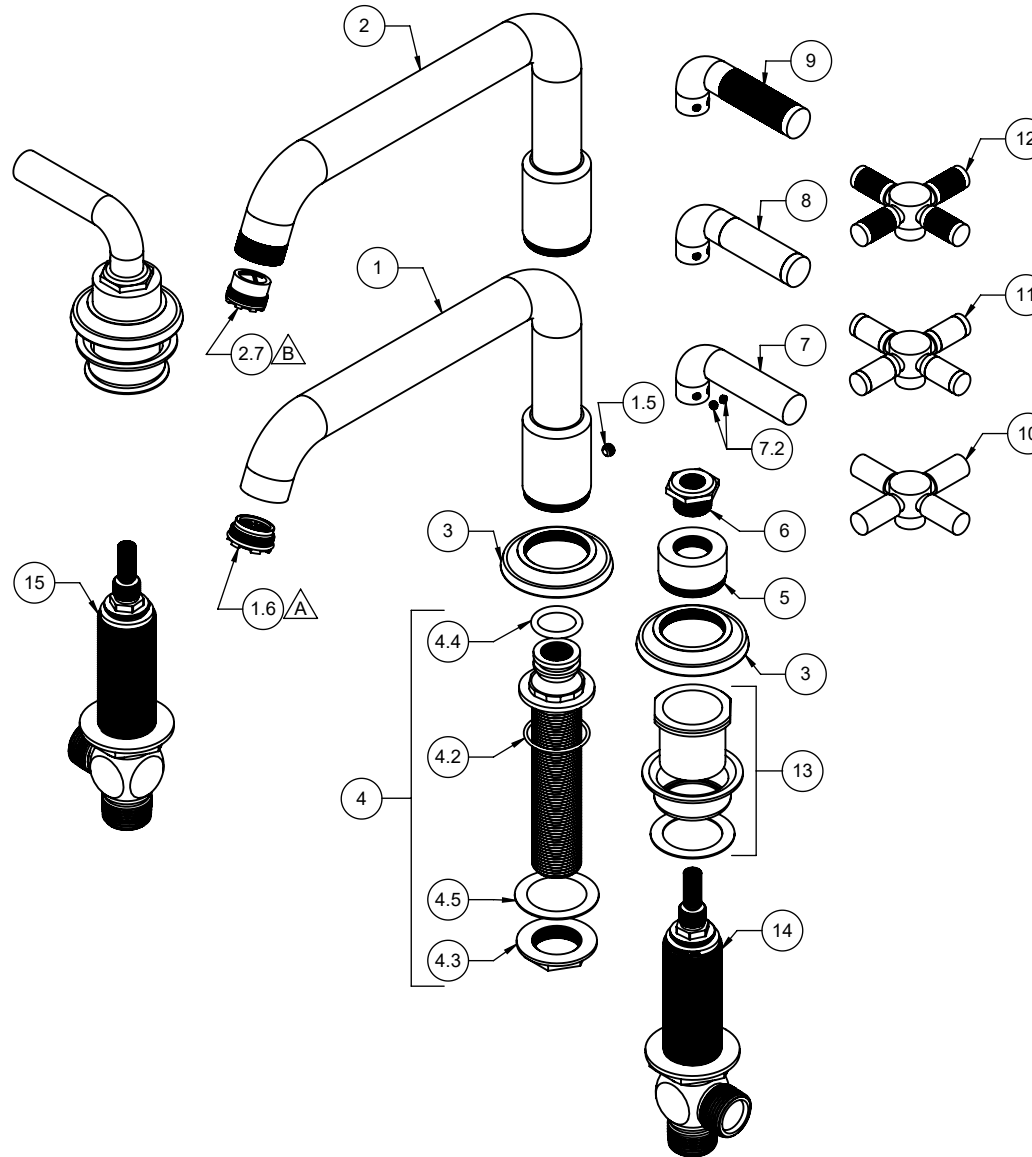


3008 3008X
3008F 3008XF
3008K 3008XK

△ REQUIRES ITEM 17
▽ REQUIRES ITEM 18



3008 3008X
3008F 3008XF
3008K 3008XK

To order spare parts add and/or replace as stated below:

SPD- prefix added to part number(s)
-ZZ replaced with finish code (see finish table)
-WW replaced with **-90** (light finish) or **-96** (dark finish)

Ex: **SPD-7-100278-PC** or **SPD-86030-96**

ITEM	PART NO.	DESCRIPTION	QTY.
for 3008 / F / X / XF	1	7-100268-ZZ ASM, RT SPOUT, LOW SPOUT - SMOOTH <i>(incl. 1.5, 1.6)</i>	1
	1.5	86034-WW SETSCREW 1/4-20 X 3/16 SCKT HD CUP PT SS	1
	1.6	880249-81 INSERT, STD, NEOSTRAHL FULL FLOW - CACHE	1
for 3008K / XK	2	7-100285-ZZ ASM, RT SPOUT, LOW SPOUT - KNURL <i>(incl. 1.5, 2.7)</i>	1
	2.7	880254-81 INSERT, JUNIOR NEOSTRAHL FULL FLOW - CACHE	1
	3	10363-ZZ RING, BASE, TRAD	3
	4	882206-98 QC-63 FOR RS-65 <i>(incl. 4.2, 4.3, 4.4, 4.5)</i>	1
	4.2	87231-80 O-RING Ø31.47 X 1.78 (-026) EPDM A70 (NSF61-12 & WRAS)	1
	4.3	882805-99 FLANGE NUT, 3/4"-14 NPSM X 1.68 OD X .30 HT	1
	4.4	87337-80 O-RING Ø20.22 X 3.53 (-211) BUNA-N A70	1
	4.5	87297-82 WASHER, FIBER, BLK Ø31.6 X Ø44.5 X 0.79MM	1
	5	10751-ZZ ESCUTCHEON, SCALLOPED	2
	6	10760-ZZ NUT, SCALLOPED ESCUTCHEON	2
for 30 series	7	7-100146-ZZ ASM, LEVER, 74 SERIES "BROACHED" <i>(incl. 7.2)</i>	2
	7.2	86030-WW SETSCREW 8-32 X 1/8 SCKT HD CUP PT SS	2
for 30F series	8	7-100277-ZZ ASM, CARBON FIBER LEVER <i>(incl. 7.2)</i>	2
for 30K series	9	7-100271-ZZ ASM, KNURLED LEVER <i>(incl. 7.2)</i>	2
for 30X series	10	7-100291-ZZ ASM, INDUSTRIAL X-HDL SMOOTH <i>(incl. 7.2)</i>	2
for 30XF series	11	7-100292-ZZ ASM, INDUSTRIAL X-HDL CARBON FIBER <i>(incl. 7.2)</i>	2
for 30XK series	12	7-100293-ZZ ASM, INDUSTRIAL X-HDL KNURLED <i>(incl. 7.2)</i>	2
	13	6-200297 KIT, RT INV NUT - 2 SETS (1 SET - 6-200297-1)	1
	14	6-200081 ASM, COLD-RT BODY, CART & NUT (LTC) <i>(incl. CART-RT-LTC)</i>	1
	15	6-200082 ASM, HOT-RT BODY, CART & NUT (RTC) <i>(incl. CART-RT-RTC)</i>	1
	17	223473-99 KEY, STD CACHE AERATOR INSERT	1
	18	880255-81 KEY, JR AERATED CACHE	1
for ITEM 1.5	19	882044-99 KEY, ALLEN, SHORT ARM, 1/8", BLACK	1
for ITEM 7.2	20	882042-99 KEY, ALLEN, 5/64", BLACK	1