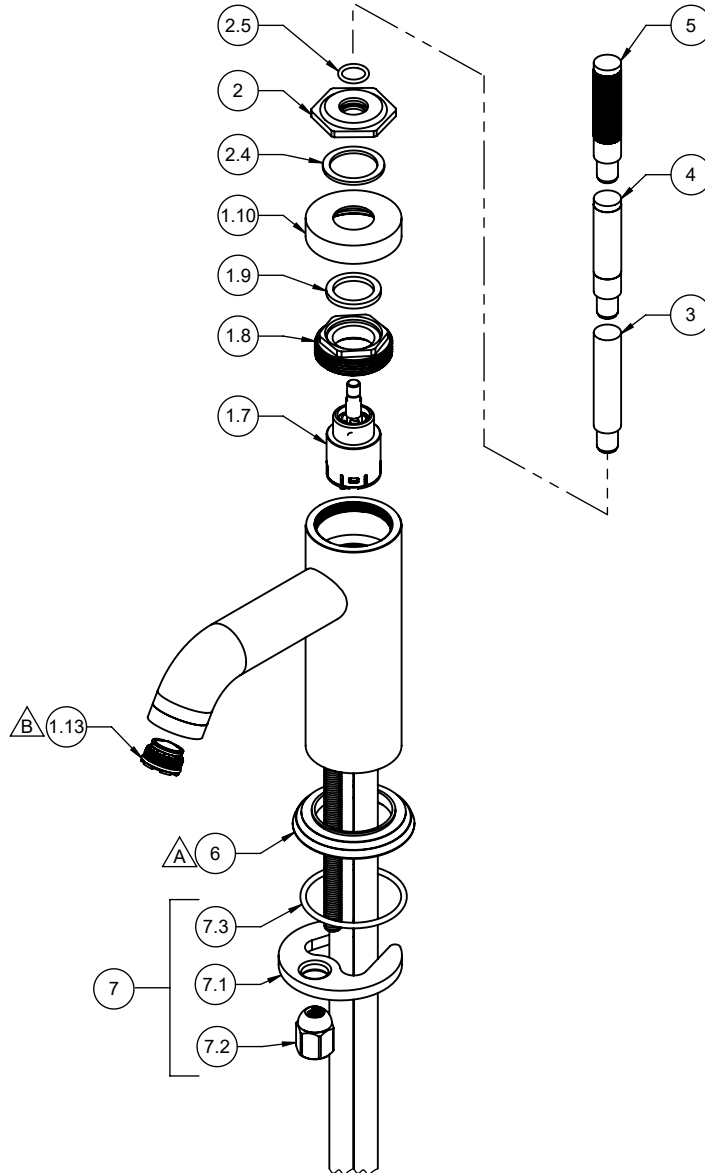


△ REQUIRES ITEM 7.3
 △ REQUIRES ITEM 8



3001-1
 3001F-1
 3001K-1
 3001-2
 3001F-2
 3001K-2

To order spare parts add and/or replace as stated below:

SPD- prefix added to part number(s)
-ZZ replaced with finish code (see finish table)
-WW replaced with **-90** (light finish) or **-96** (dark finish)

Ex: **SPD-7-100278-PC** or **SPD-86030-96**

ITEM	PART NO.	DESCRIPTION	QTY.
1.7	880410-99	CART 25MM, SNGL LVR JOYSTICK	1
1.8	10054-98	NUT, PACKING, CARTRIDGE	1
1.9	880406-92	MAGNET, Ø19.05 X Ø25.40 X 2.38MM	1
1.10	10776-ZZ	COVER, SINGLE HOLE KNURLED CART	1
1.13	880357-81	INSERT, 1.2 GPM, TJ AERATED (PCA CACHE) - PINK	1
2	7-100602-ZZ	ASM, DISC, SINGLE HOLE HEX JOYSTICK <i>(incl. 2.4, 2.5)</i>	1
2.4	87208-81	WSHR Ø.875 X Ø1.125 X .062" UHMW	1
2.5	87068-80	O-RING Ø10.82 X 1.78 (-013) EPDM A70 (NSF-61-12 & WRAS)	1
for 30 series	3	7-100280-ZZ ASM, LEVER, SMOOTH SINGLE HOLE	1
for 30F series	4	7-100282-ZZ ASM, LEVER, CARBON FIBER SINGLE HOLE	1
for 30K series	5	7-100281-ZZ ASM, LEVER, KNURLED SINGLE HOLE	1
6	10774-ZZ	BASE RING, SINGLE HOLE KNURLED	1
7	6-200057-99	KIT, MOUNTING HDW, SNGL HOLE <i>(incl. 7.1, 7.2, 7.3)</i>	1
7.1	880309-98	MOUNTING BRACKET, SINGLE HOLE CRESCENT	1
7.2	10184-98	NUT, HEX W/ DOME	1
7.3	622055-99	O-RING 44.12 X 2.62 (-132) BUNA-N A70	1
8	880079-99	KEY, TJ AERATED CACHE	1