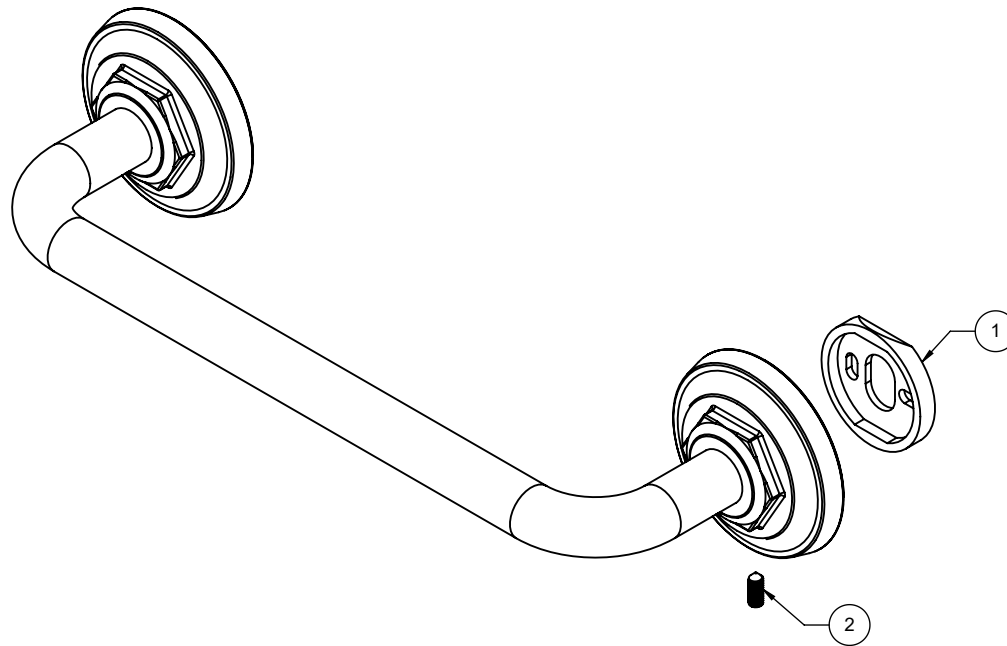


30-9
30K-9
30-18
30K-18
30-24
30K-24



To order spare parts add and/or replace as stated below:

SPD- prefix added to part number(s)

-ZZ replaced with finish code (see finish table)

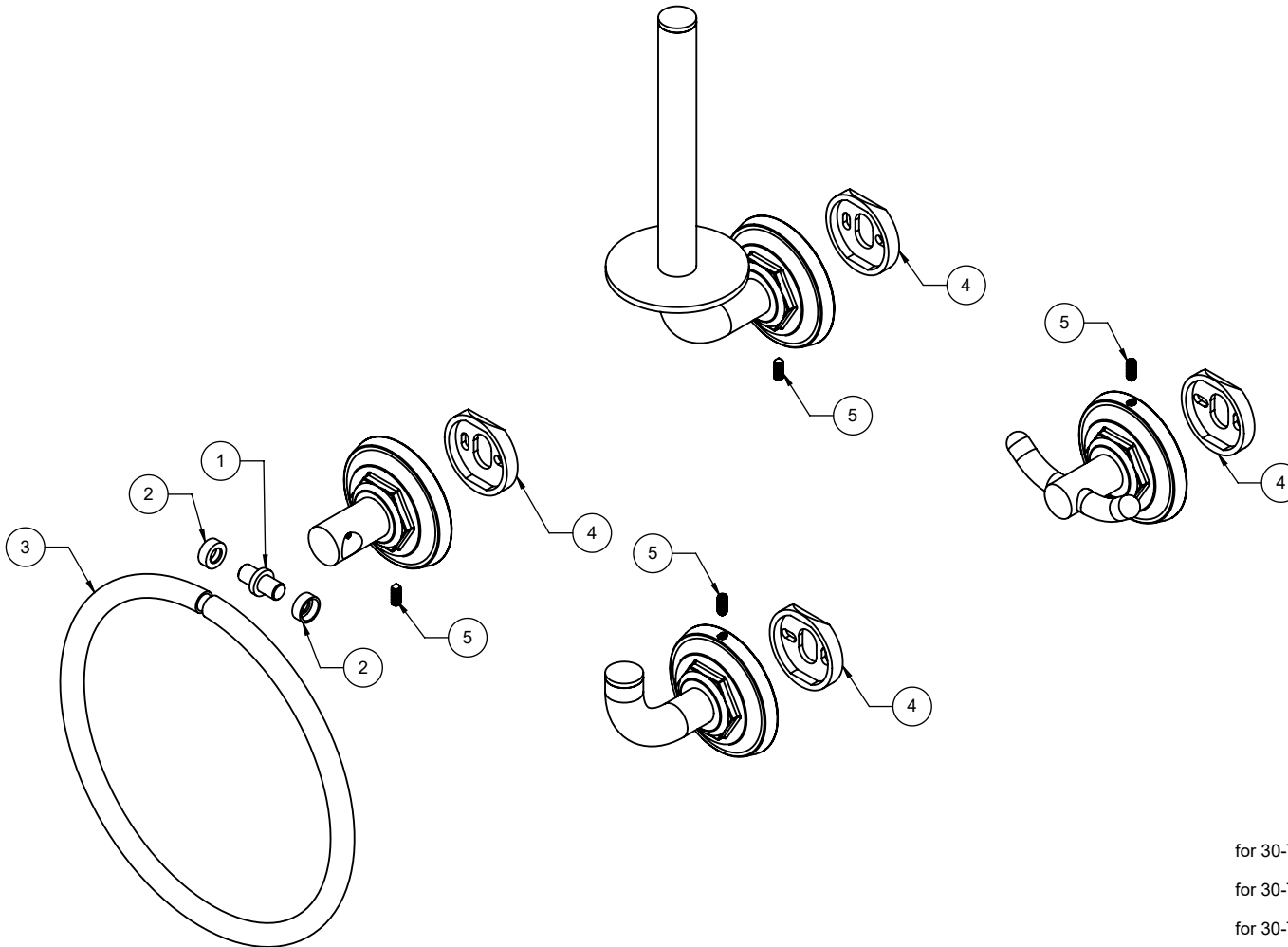
-WW replaced with **-90** (light finish) or **-96** (dark finish)

Ex: **SPD-7-100278-PC** or **SPD-86030-96**

ITEM	PART NO.	DESCRIPTION	QTY.
1	880367-97	WALL MOUNT, ø37 W/2 BEVELS, ACC	2
2	86230-90	SETSCREW M4X0.7 X 10MM SCKT HD CONE PT SS	2
3	882811-99	SCREW, FLAT HEAD, PHILLIPS SHEET METAL, 8 X 1-1/2" FOR ACCESS	4
4	86154-81	ANCHOR, TOGGLE, 3/8"-1/2" WALL	4
5	880003-92	KEY, ALLEN, 2MM	1

for ITEM 2

30-TR
30K-TR
30-RH
30K-RH
30-DRH
30K-DRH
30-VTP
30K-VTP



To order spare parts add and/or replace as stated below:

SPD- prefix added to part number(s)

-ZZ replaced with finish code (see finish table)

-WW replaced with **-90** (light finish) or **-96** (dark finish)

Ex: **SPD-7-100278-PC** or **SPD-86030-96**

	ITEM	PART NO.	DESCRIPTION	QTY.
for 30-TR	1	10703-81	COUPLER, TOWEL RING Ø12.00 OD X Ø6.80 OD X 21.2MM L	1
for 30-TR	2	10702-81	CAP, Ø12.00 OD X Ø7.00 THRU X 4.5MM L	2
for 30-TR	3	10701-ZZ	TOWEL RING Ø10.00 X 180MM (7") OD	1
	4	880367-98	WALL MOUNT, Ø37 W/2 BEVELS, ACC	1
	5	86230-90	SETSCREW M4X0.7 X 10MM SCKT HD CONE PT SS	1
	6	882811-99	SCREW, FLAT HEAD, PHILLIPS SHEET METAL, 8 X 1-1/2" FOR ACCESS	2
	7	86154-81	ANCHOR, TOGGLE, 3/8"-1/2" WALL	2
for ITEM 5	8	880003-92	KEY, ALLEN, 2MM	1