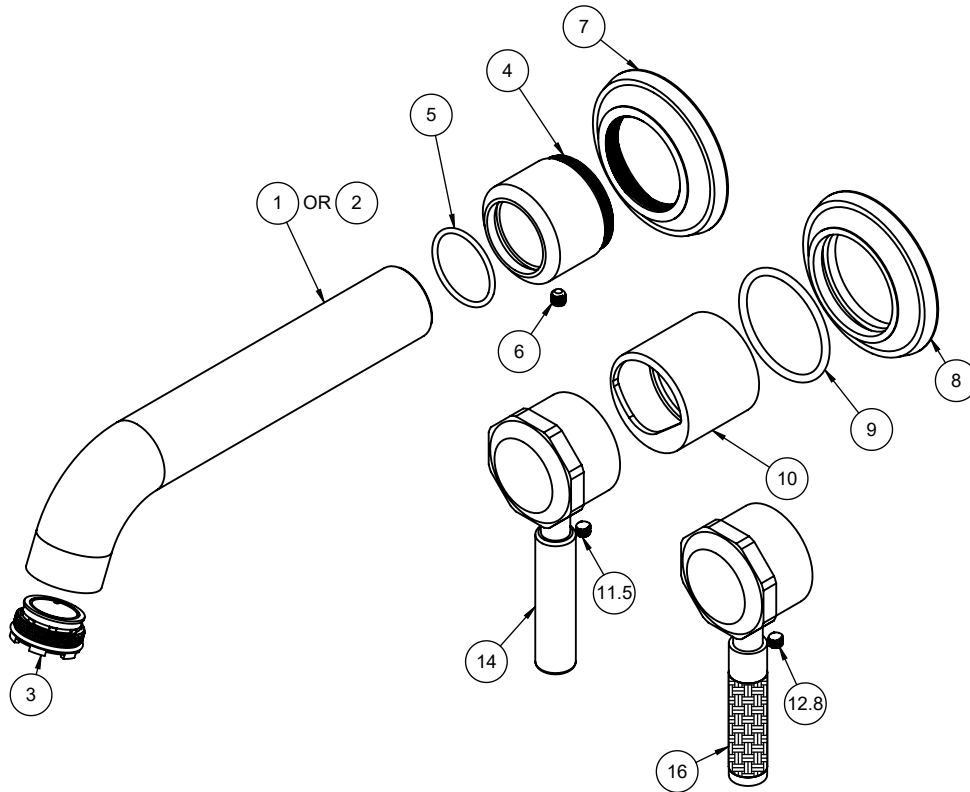


TO-V3001-7
TO-V3001F-7
TO-V3001-9
TO-V3001F-9



To order spare parts add and/or replace as stated below:

SPD- prefix added to part number(s)

-ZZ replaced with finish code (see finish table)

-WW replaced with **-90** (light finish) or **-96** (dark finish)

Ex: **SPD-7-100463-PC** or **SPD-86030-96**

	ITEM	PART NO.	DESCRIPTION	QTY
for V3001(F)-7	1	7-100269-ZZ	ASM, VS SPOUT, 7", ANGLED OUTLET - SMOOTH	1
for V3001(F)-9	2	7-100270-ZZ	ASM, VS SPOUT, 9", ANGLED OUTLET - SMOOTH	1
	3	880358-81	INSERT, 1.2 GPM, STD AERATED (PCA CACHE)	1
	4	10763-ZZ	BASE, VESSEL SPT, W/THRU-HOLE	1
	5	87204-80	O-RING Ø25.12 X 1.78 (-022) EPDM A70 (NSF-61 & WRAS)	1
	6	86033-WW	SETSCREW 10-24 X 3/16 SCKT HD CUP PT SS	1
	7	10363-ZZ	RING, BASE, TRAD	1
	8	11251-ZZ	BASE RING, TRAD CONCAVE	1
	9	87029-80	O-RING, 36.17 X 2.62 (-127) BUNA-N A70	1
	10	11248-ZZ	BONNET, ROUND	1
for V3001	11	7-100588-ZZ	ASM, SHV 30 SERIES HDL	1
	11.5	86047-90	SETSCREW 10-24 X 3/16 SCKT HD CONE PT SS	1
for V3001F	12	7-100590-ZZ	ASM, SHV 30F SERIES HDL	1
	12.8	86047-90	SETSCREW 10-24 X 3/16 SCKT HD CONE PT SS	1