



California Faucets®

SQSPRAY-UG-K30/K51-150 Squeeze Sprayhead Upgrade - Culinary Installation Instructions

CALIFORNIA FAUCETS RECOMMENDS THAT ALL PLUMBING PRODUCTS BE INSTALLED BY A LICENSED PROFESSIONAL

IMPORTANT: Read all instructions prior to installation and provide copy of instructions to consumer.

Operating Specifications:

Recommended Supply Pressure: 20 to 70 psi*†

* Operating pressures between hot and cold supplies should vary no more than 30 psi.

† If water pressure exceeds 70 psi, install a Pressure-Reducing Valve (RPV).

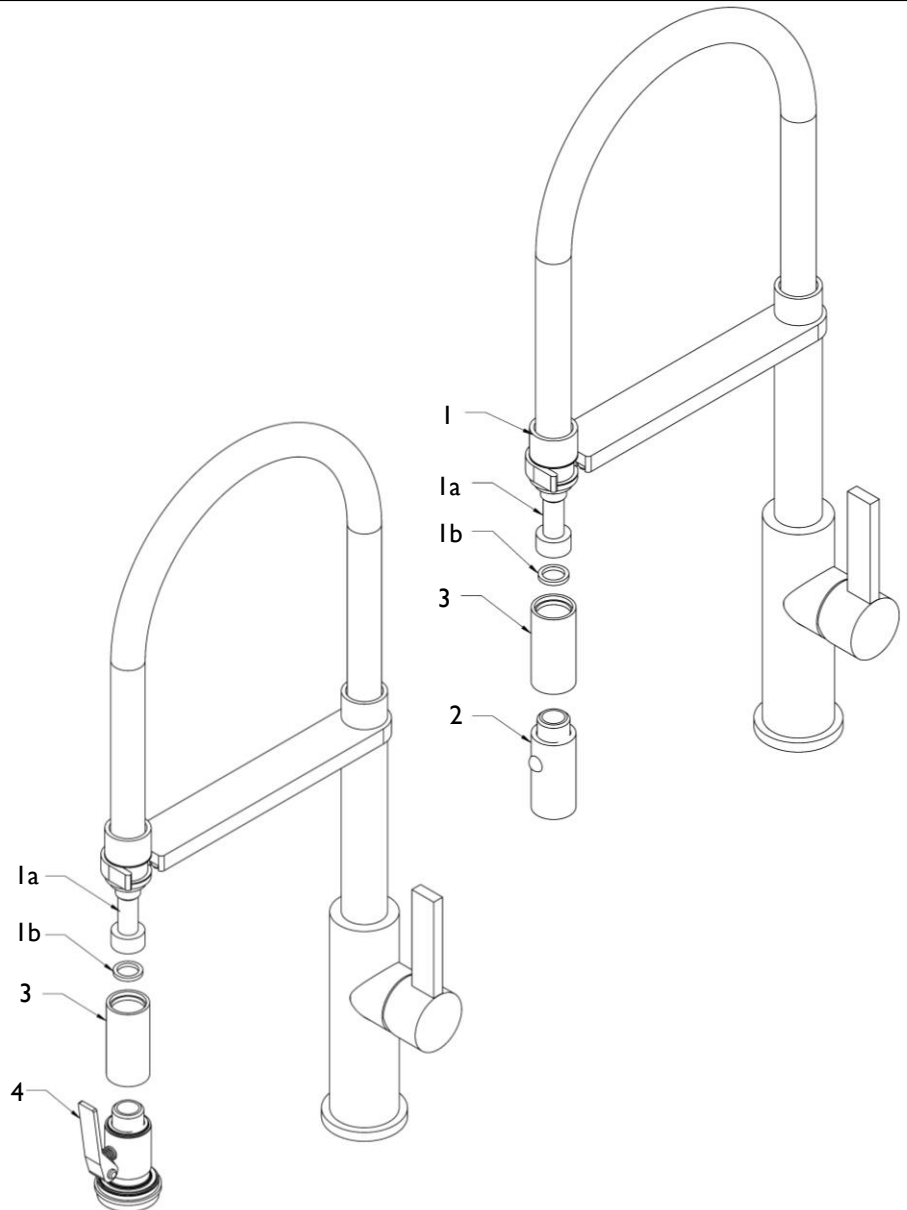
1 REPLACE SPRAYHEAD

Important: Shut off water supply before starting. Use towel or similar padding to protect sink and work area as well as to prevent damage to faucet parts

- Hold spring ENDCAP (1) and unthread lower BUTTON SPRAYHEAD (2) from sprayhead ADAPTER (1a)

Caution: Take care when removing SPRAYHEAD (2) as sprayhead SLEEVE (3) will slide off and WASHER (1a) may fall out when SPRAYHEAD (2) is removed

- Insert WASHER (1b) into ADAPTER (1a) then slide sprayhead SLEEVE (3) with larger ID first (up) and secure SQUEEZE SPRAYHEAD (4) onto sprayhead ADAPTER (1a)



2 TEST SECTION

- Turn on water supply
- Check for leaks around sprayhead
- Squeeze lever to active spray mode